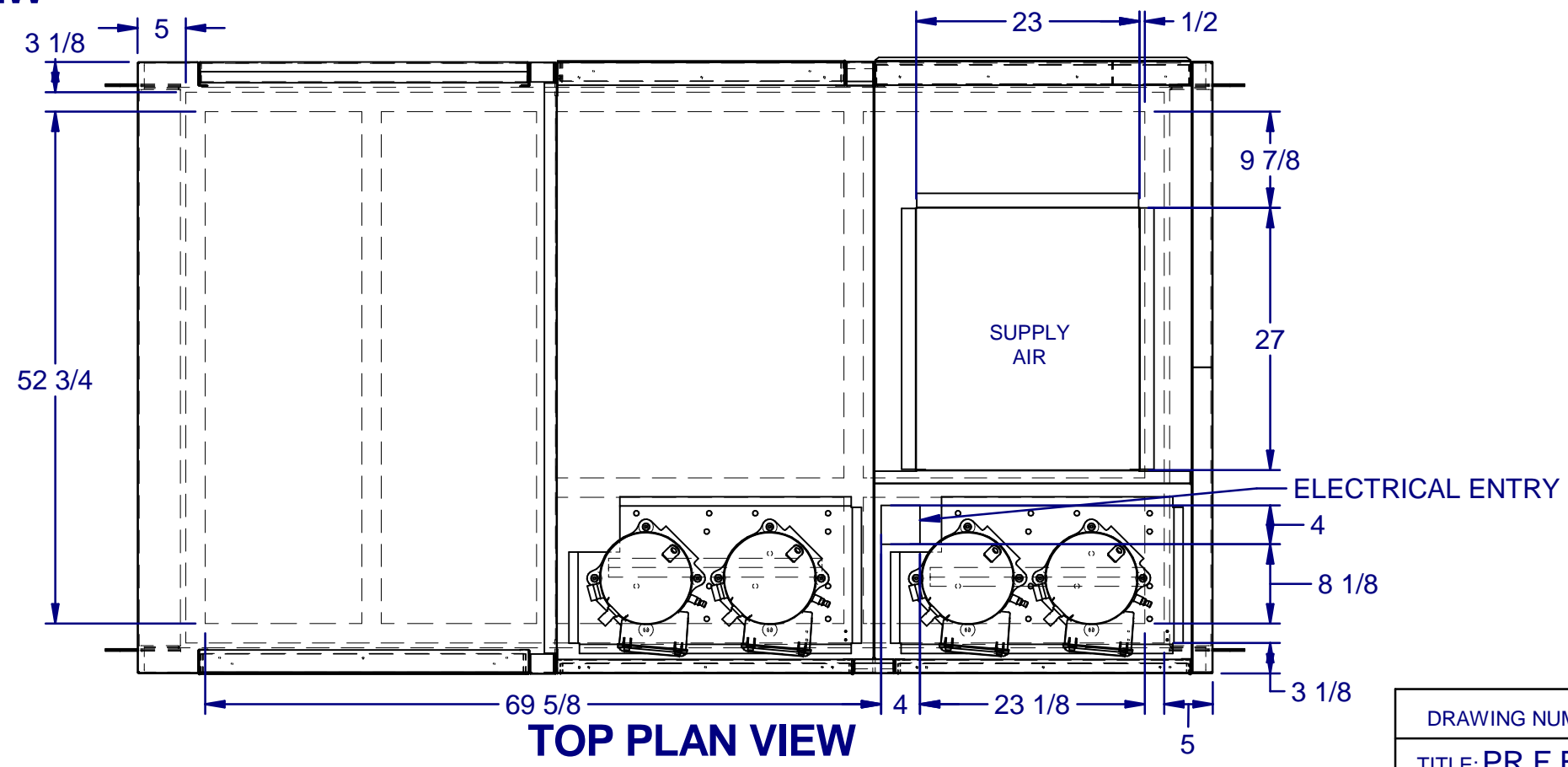
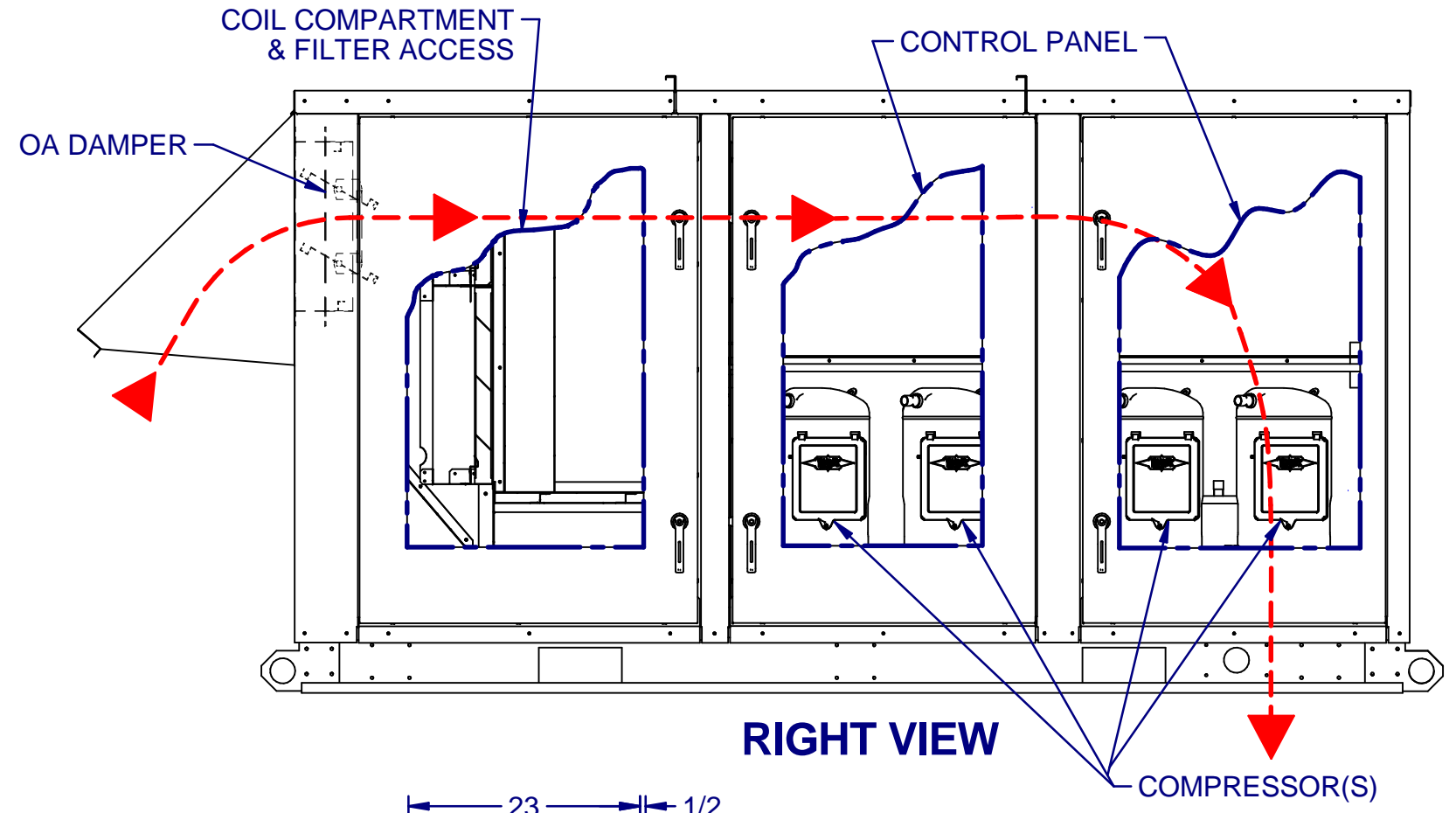
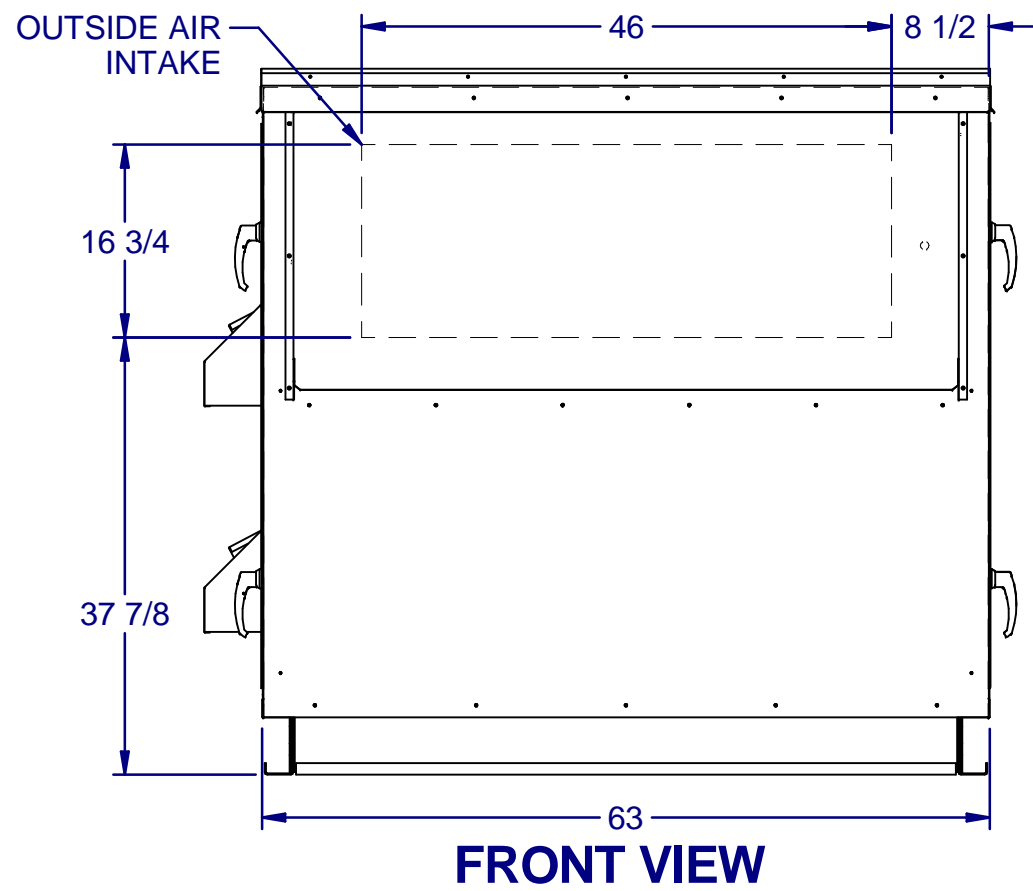


100% OUTSIDE AIR



DRAWING NUMBER: 0504I-2508-4	12/21/2015
TITLE: PR F BXL CAB NO EXH	1 OF 1