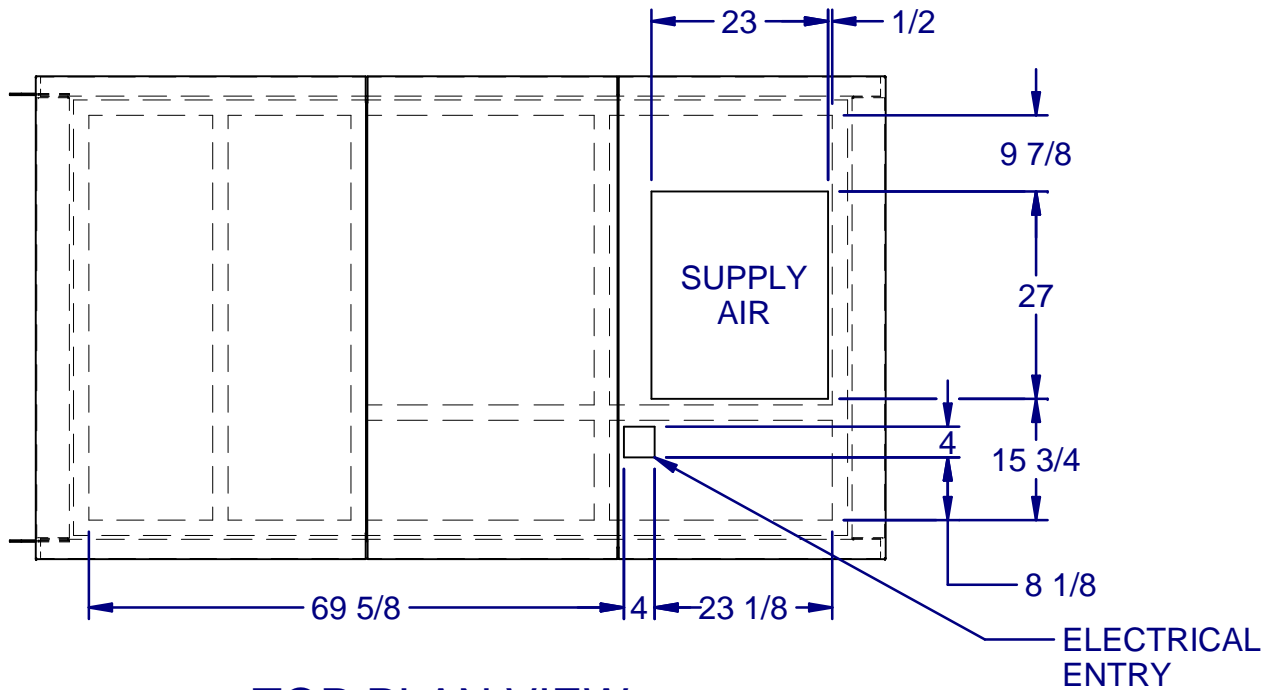
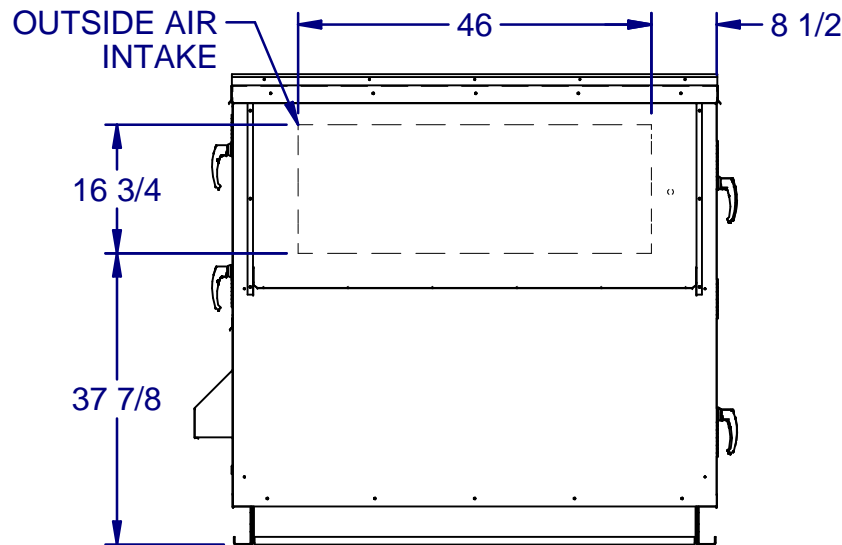
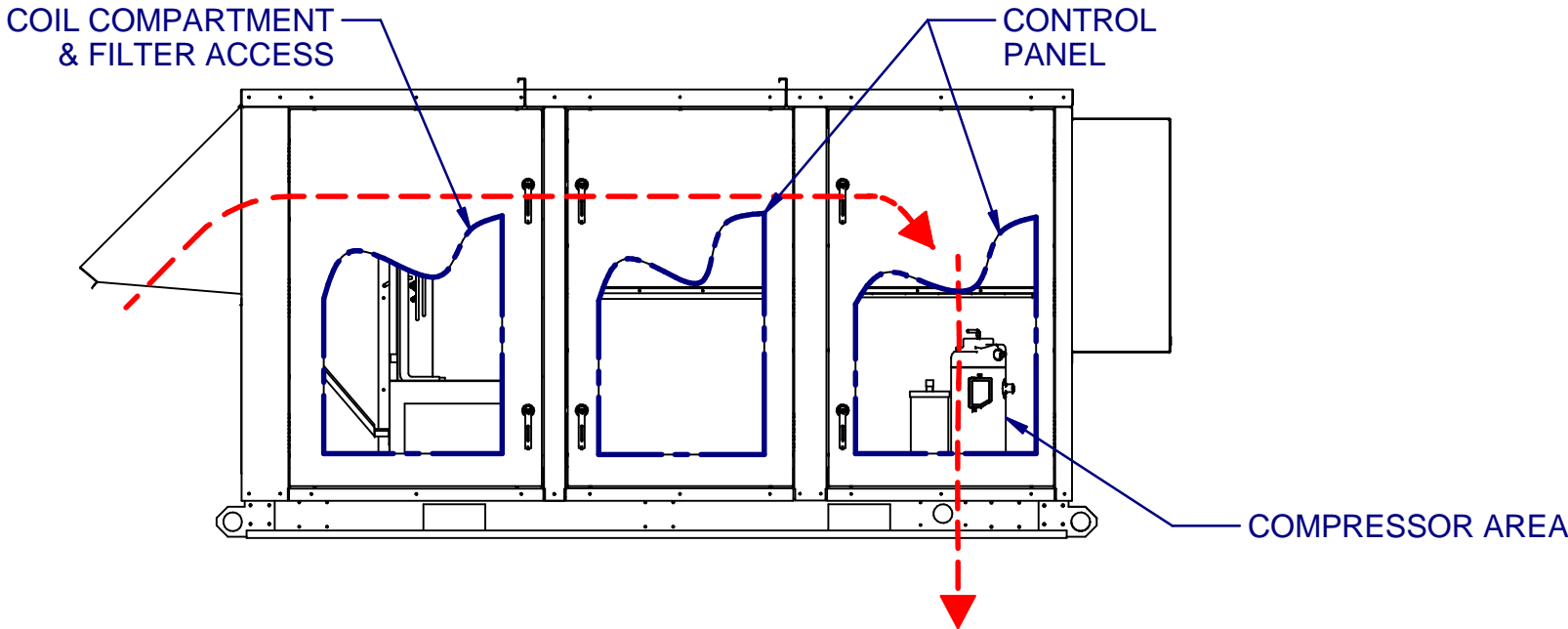


100% OUTSIDE AIR



TOP PLAN VIEW
CONDENSING SIDE
NOT SHOWN

DRAWING NUMBER: 0504I-2510-4	12/21/2015
TITLE: PR WG BXL CAB NO EXH	1 OF 1