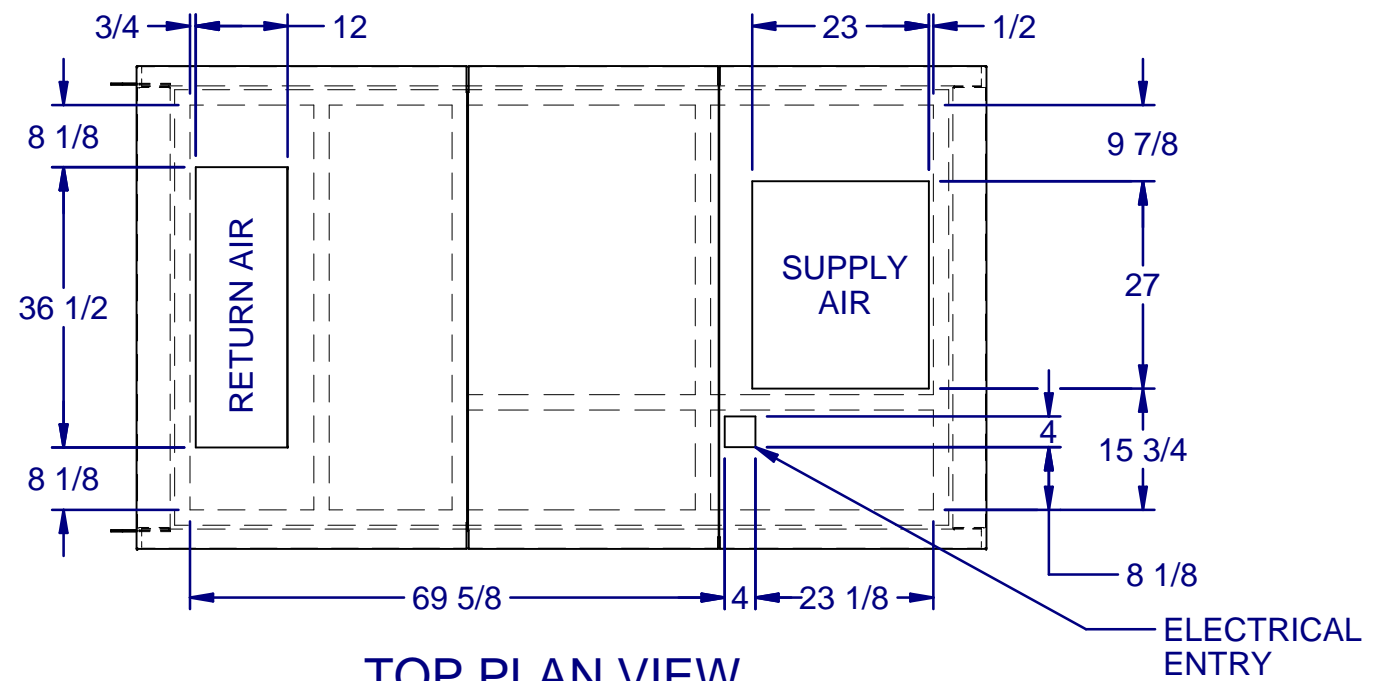
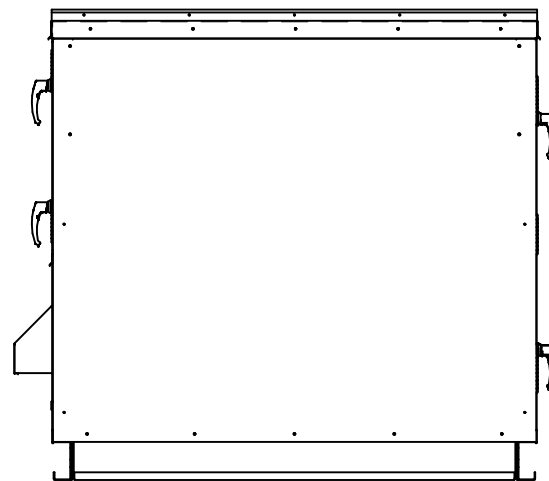
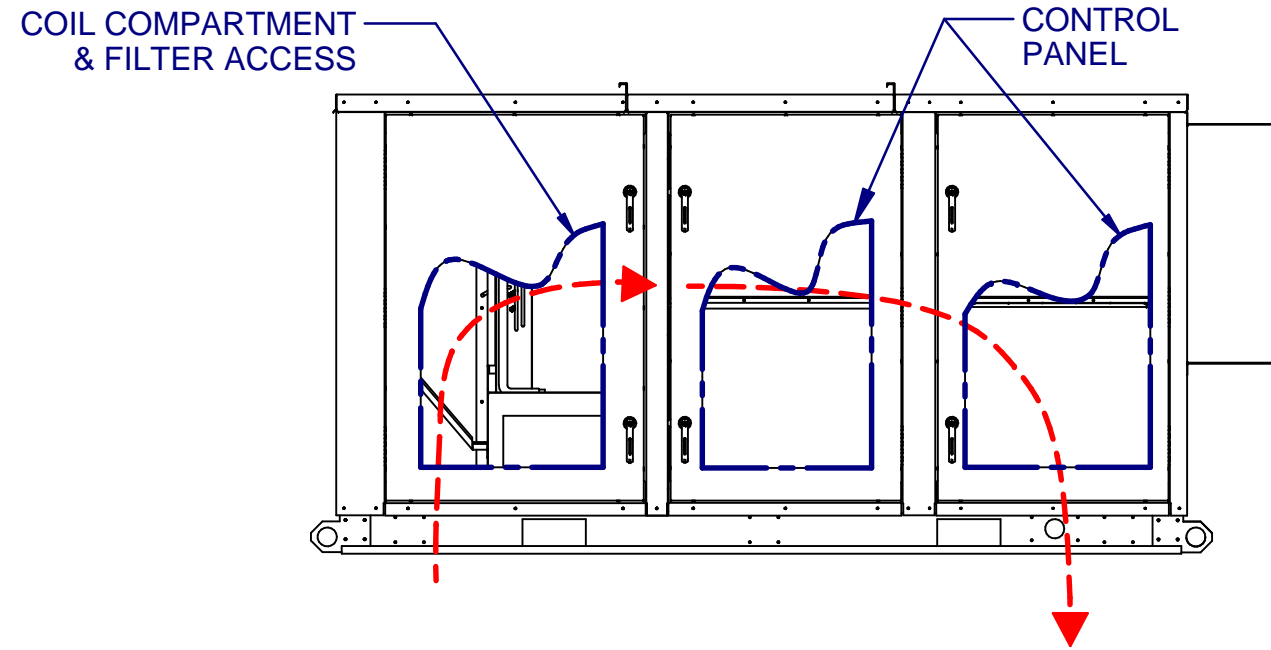


# RECIRCULATING OPTION



TOP PLAN VIEW  
CONDENSING SIDE  
NOT SHOWN

DRAWING NUMBER: 0504I-2510-5	10/14/2016
TITLE: PR WG BXL CAB NO EXH	1 OF 1