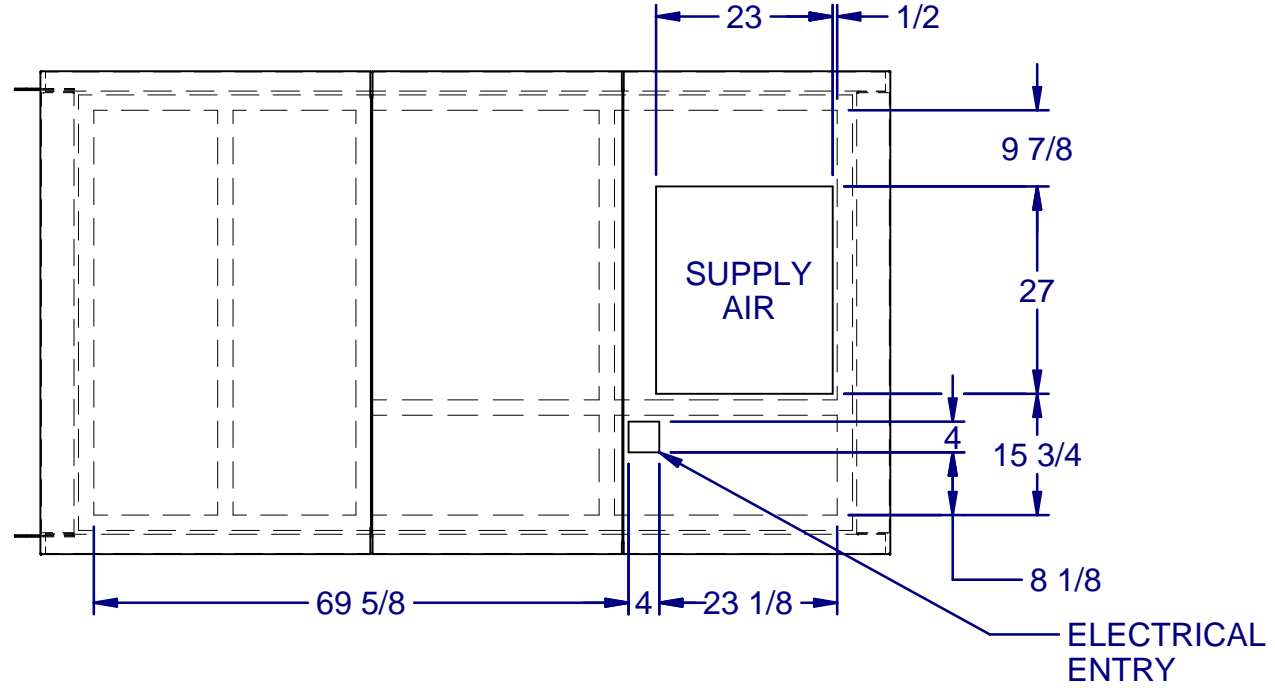
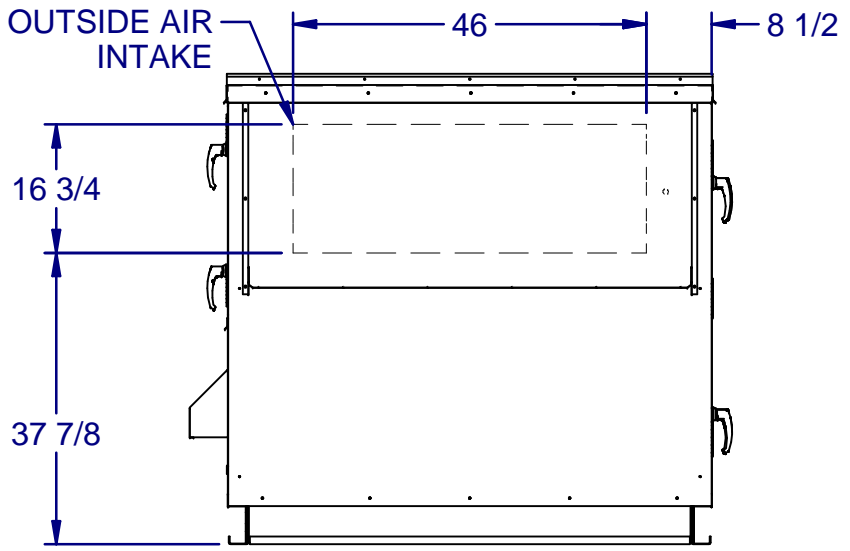
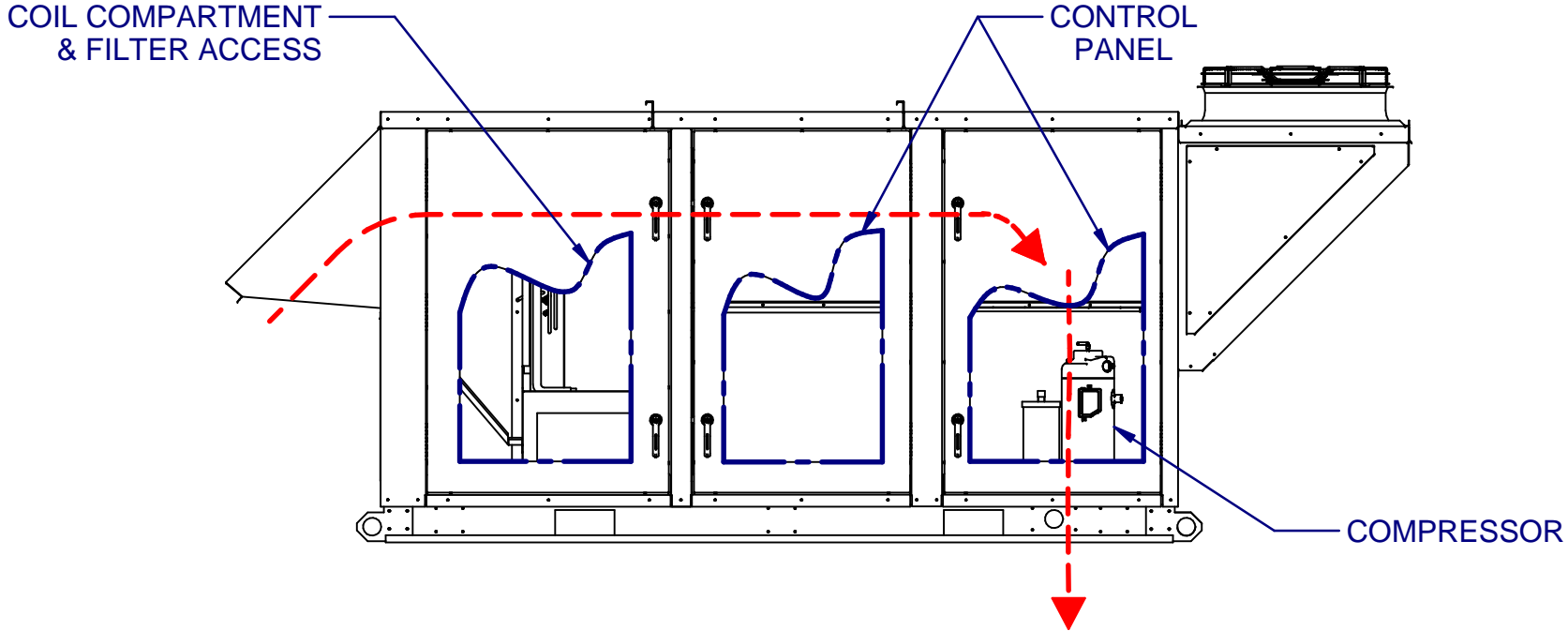


# 100% OUTSIDE AIR



TOP PLAN VIEW  
CONDENSING SIDE  
NOT SHOWN

DRAWING NUMBER: 05041-2512-4	12/21/2015
TITLE: PR B1XL CAB NO EXH	1 OF 1