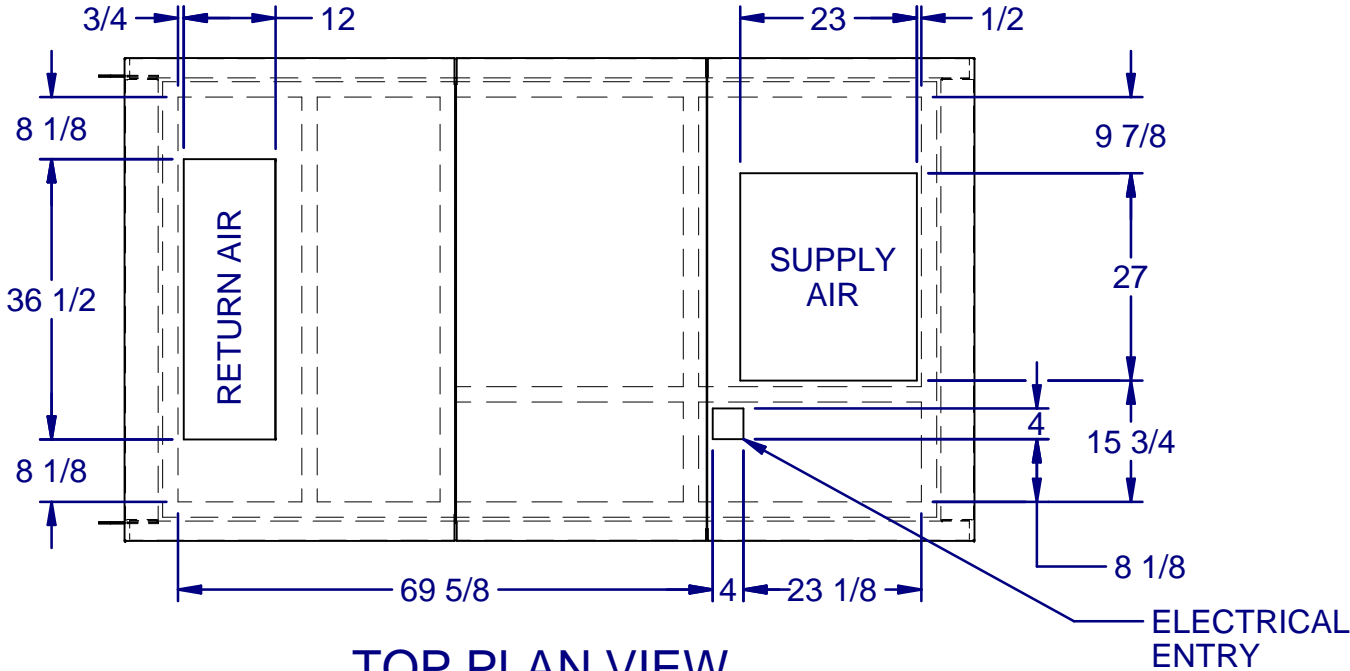
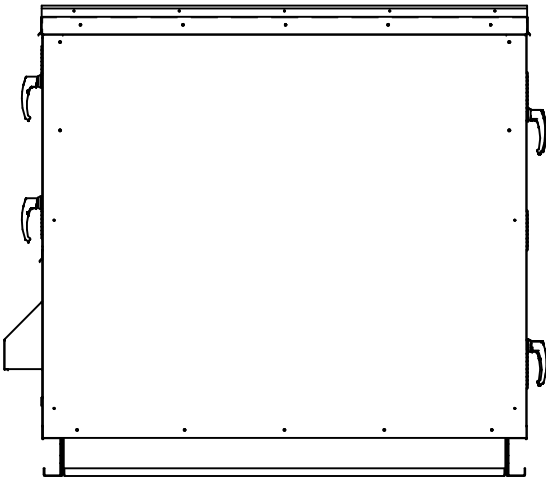
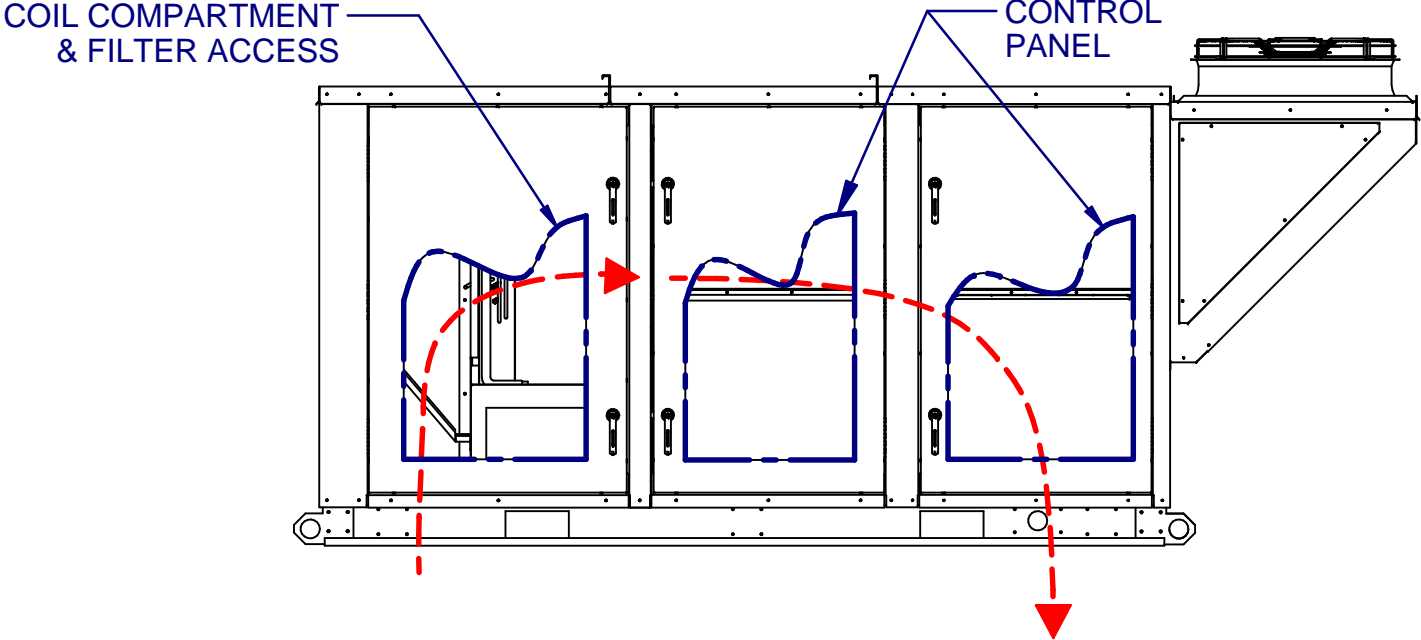


# RECIRCULATING OPTION



TOP PLAN VIEW  
CONDENSING SIDE  
NOT SHOWN

DRAWING NUMBER: 0504I-2512-5	10/14/2016
TITLE: PR B1XL CAB NO EXH	1 OF 1