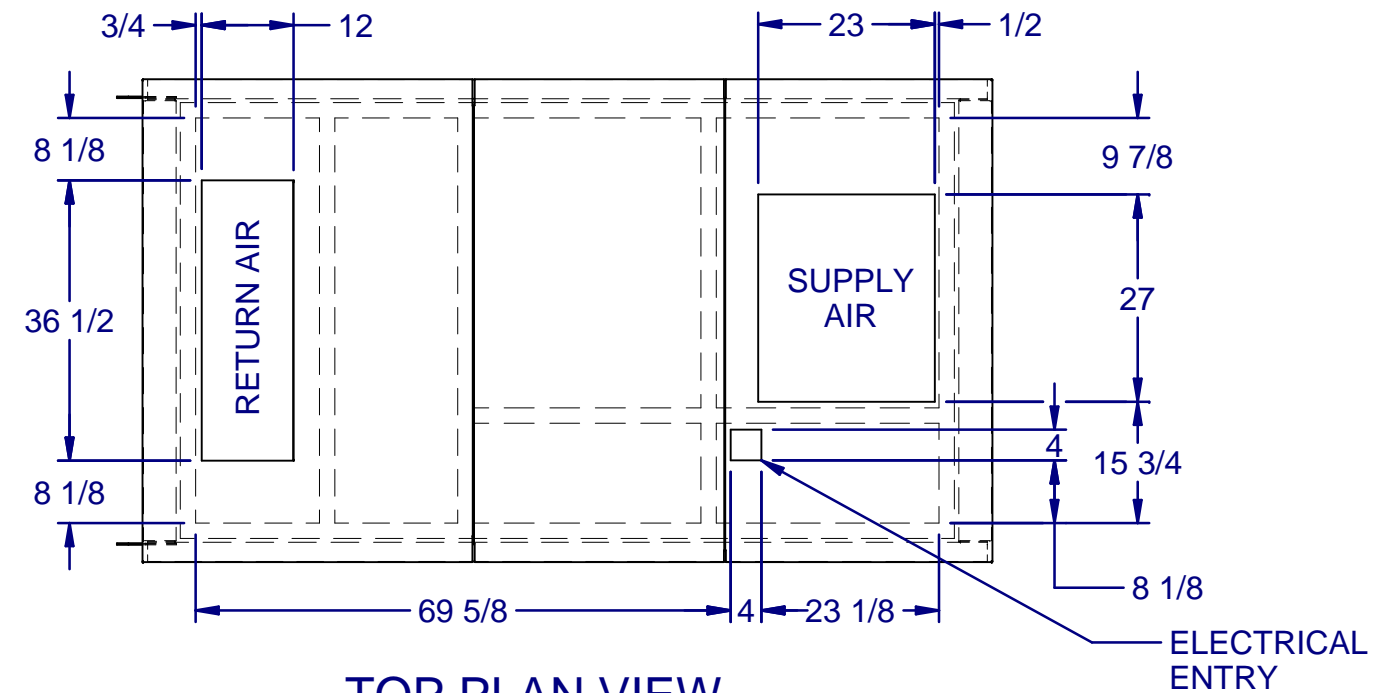
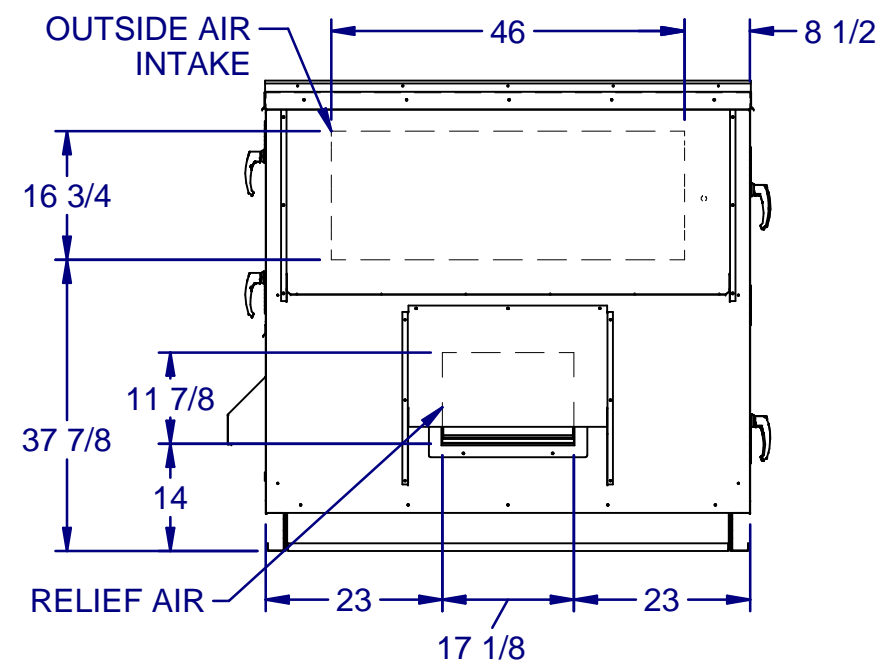
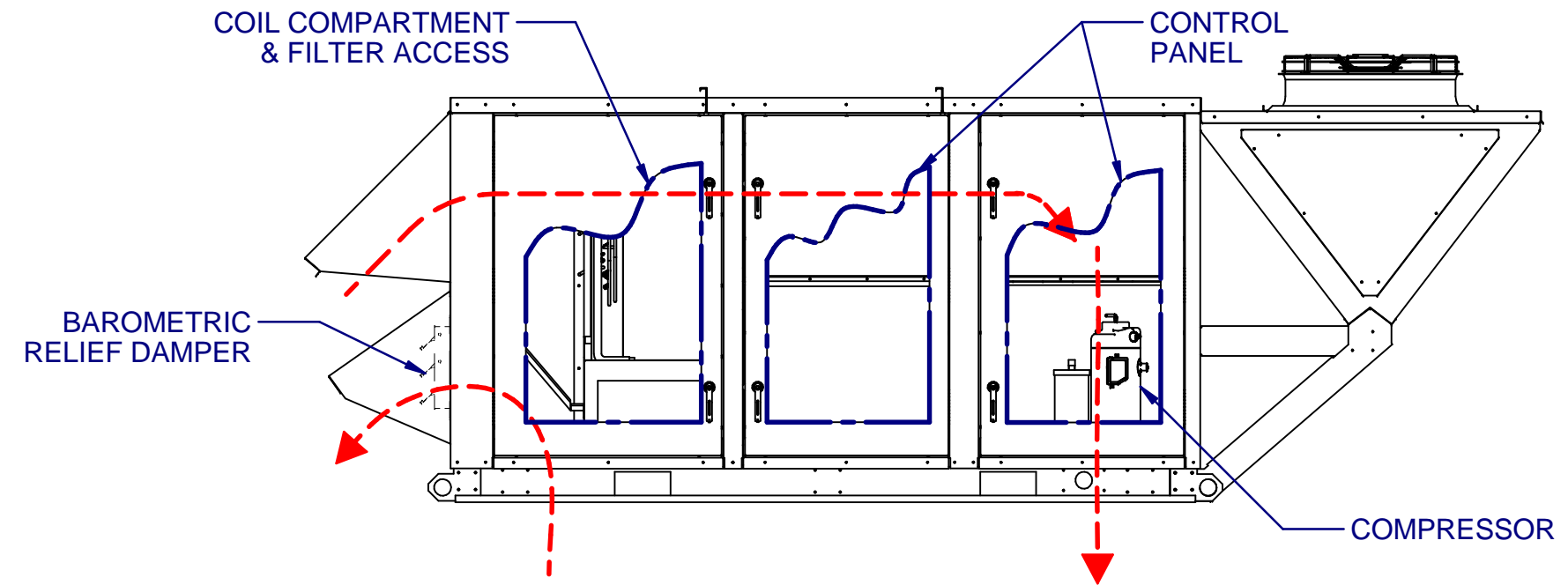


# 100% OUTSIDE AIR WITH BAROMETRIC RELIEF



TOP PLAN VIEW  
CONDENSING SIDE  
NOT SHOWN

|                              |            |
|------------------------------|------------|
| DRAWING NUMBER: 0504I-2514-2 | 12/21/2015 |
| TITLE: PR B2XL CAB NO EXH    | 1 OF 1     |