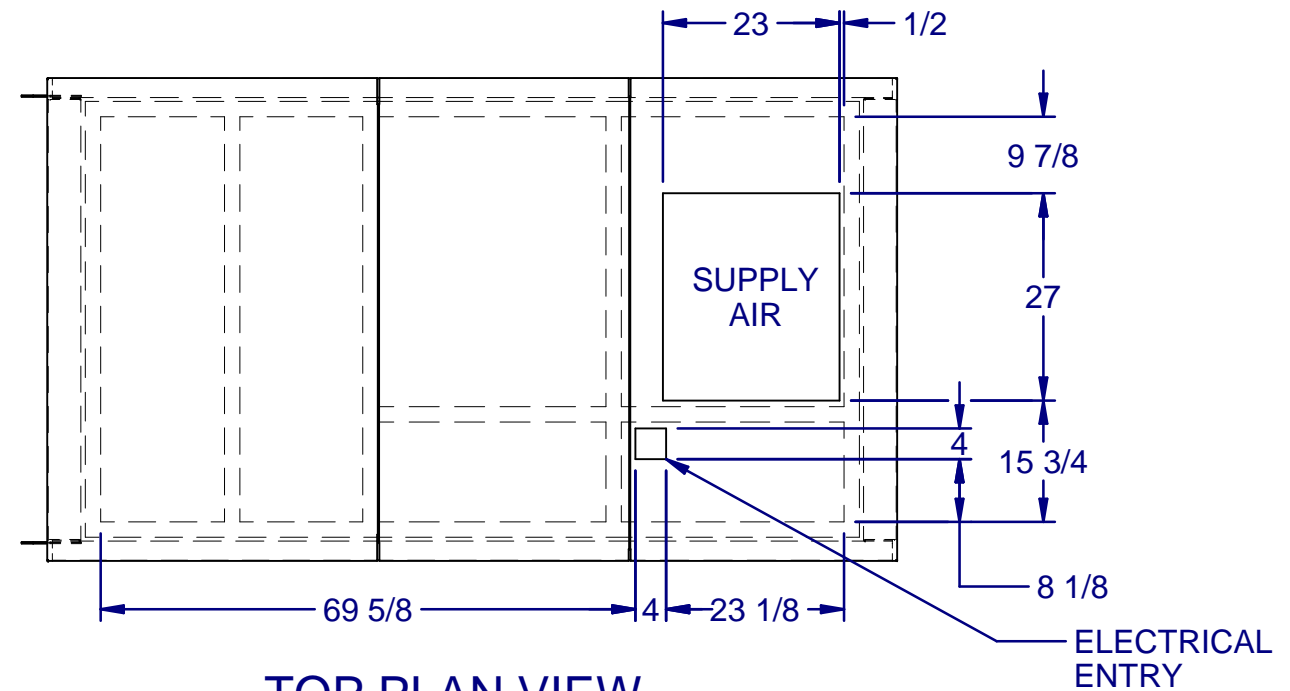
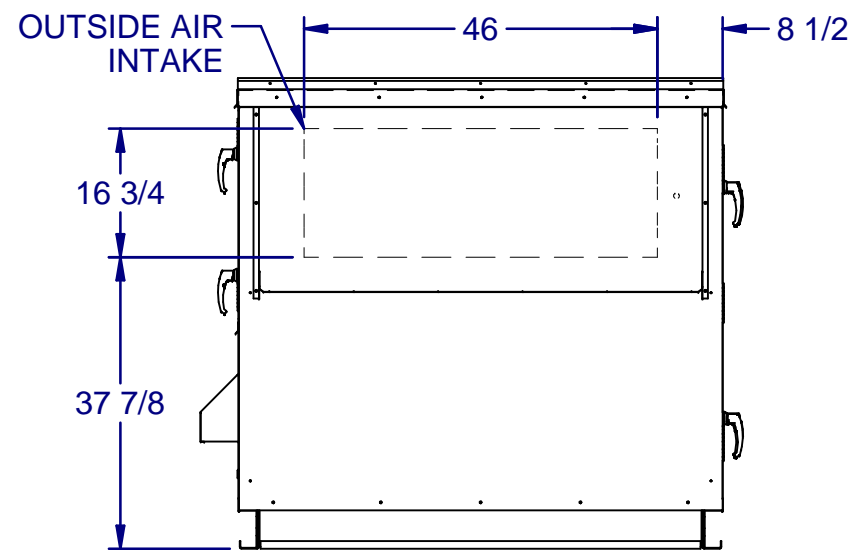
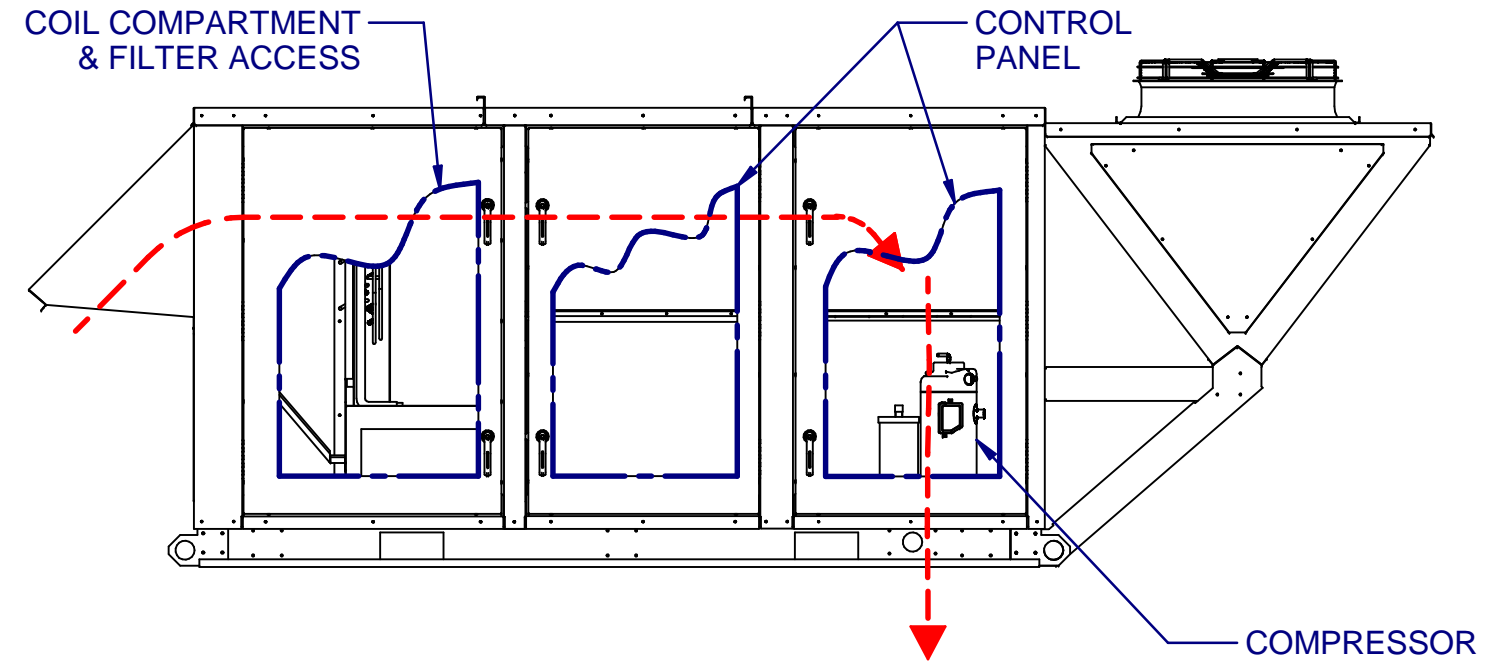


100% OUTSIDE AIR



TOP PLAN VIEW
CONDENSING SIDE
NOT SHOWN

DRAWING NUMBER: 05041-2514-4	12/21/2015
TITLE: PR B2XL CAB NO EXH	1 OF 1