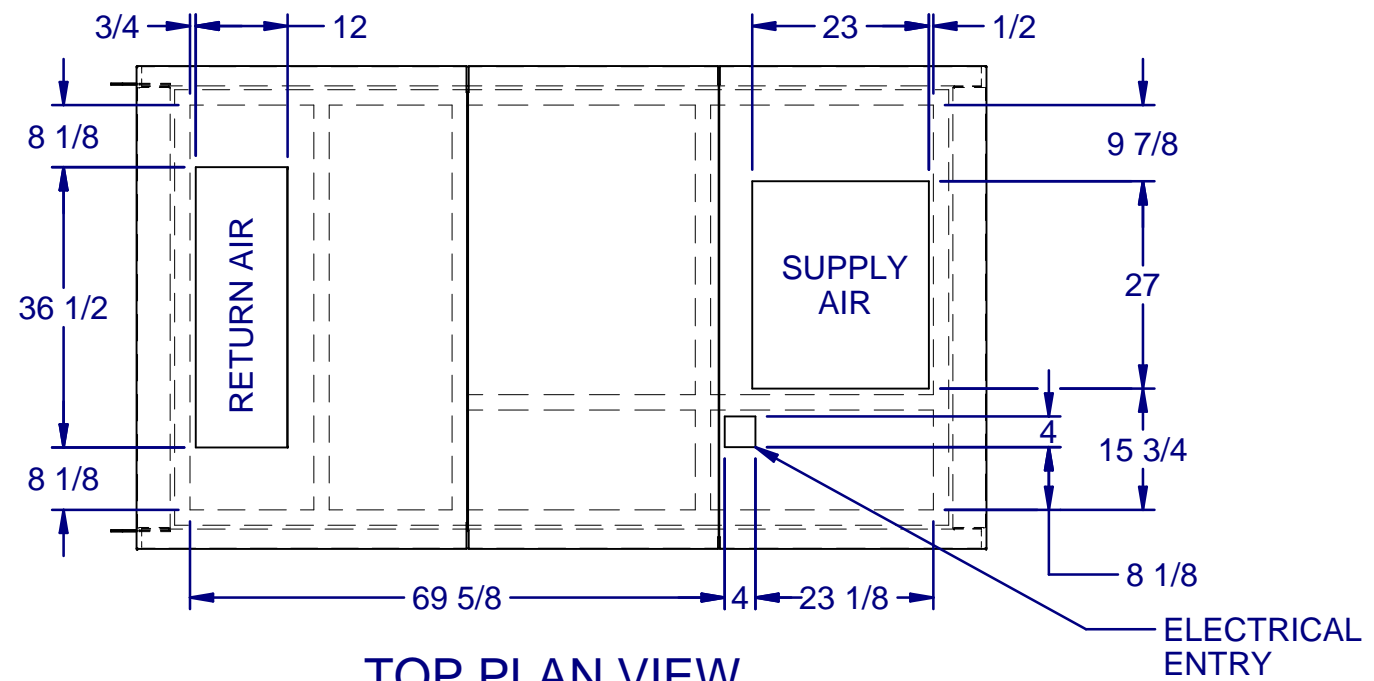
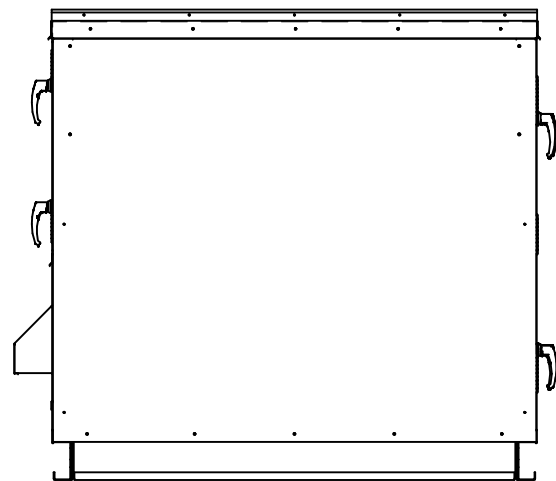
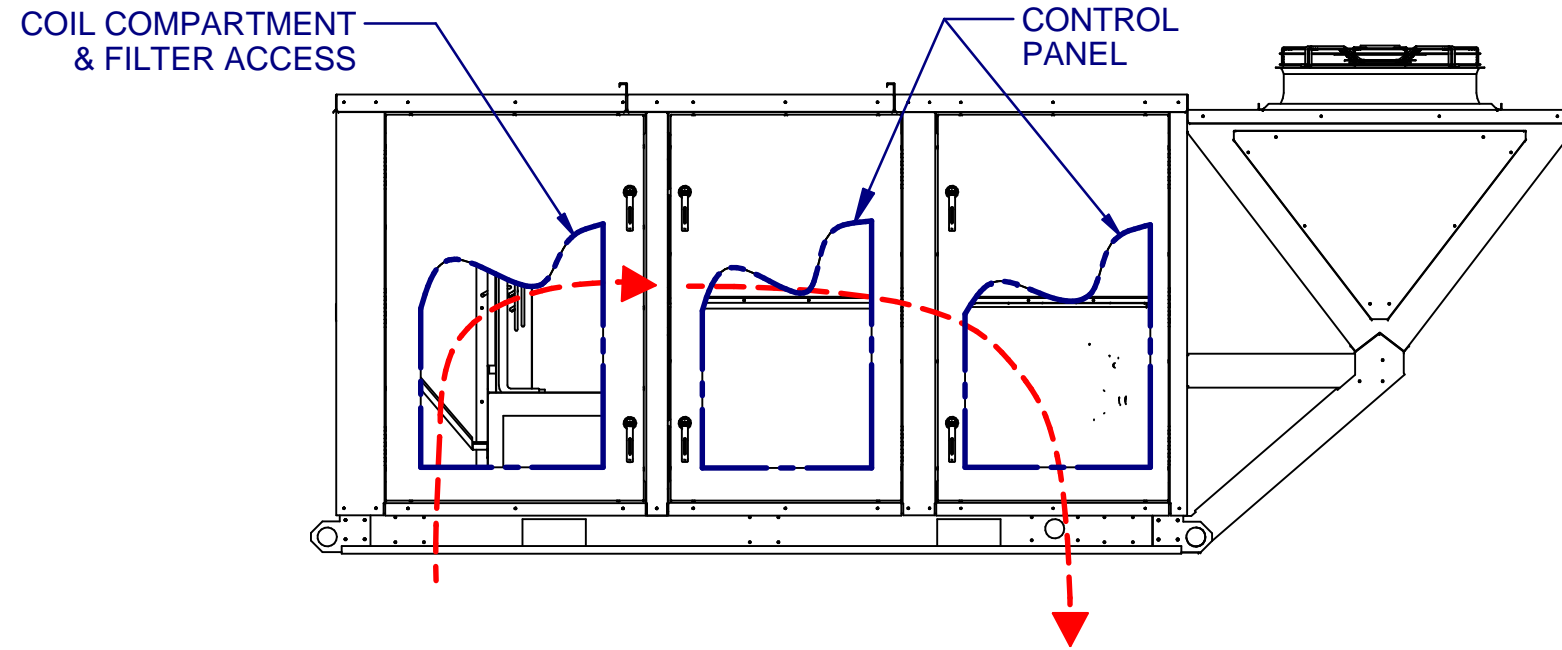


RECIRCULATING OPTION



TOP PLAN VIEW
CONDENSING SIDE
NOT SHOWN

DRAWING NUMBER: 05041-2514-5	10/17/2016
TITLE: PR B2XL CAB NO EXH	1 OF 1