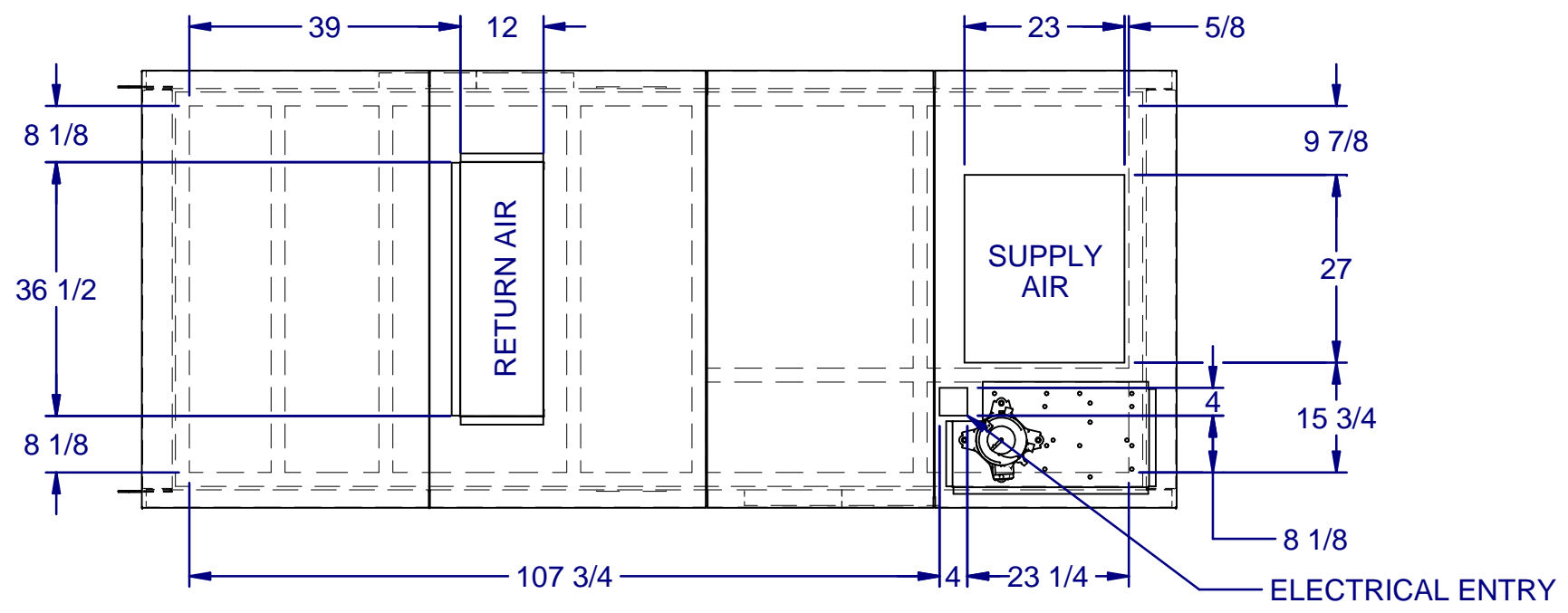
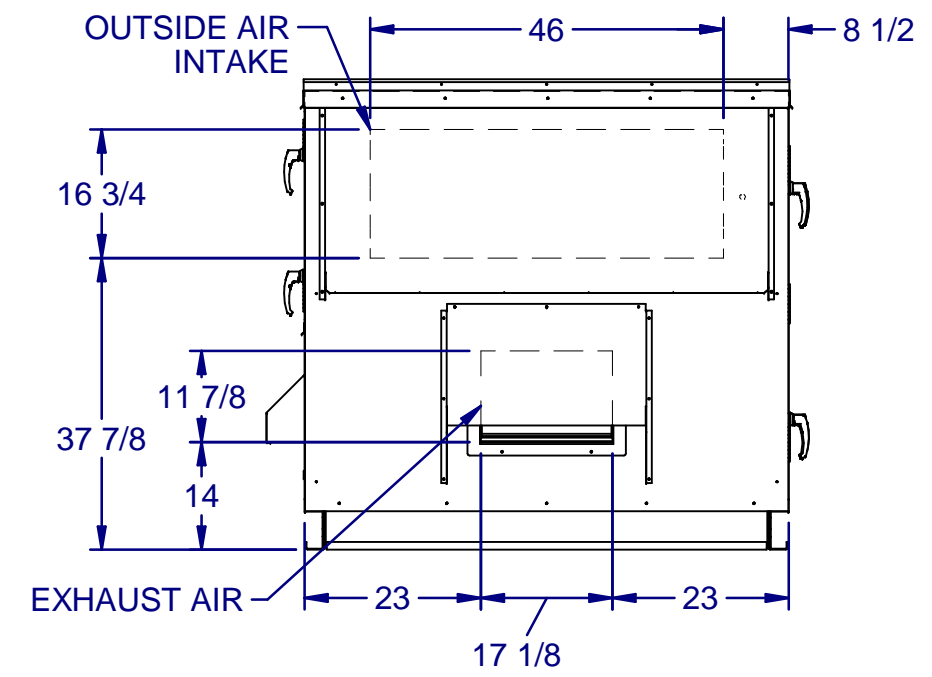
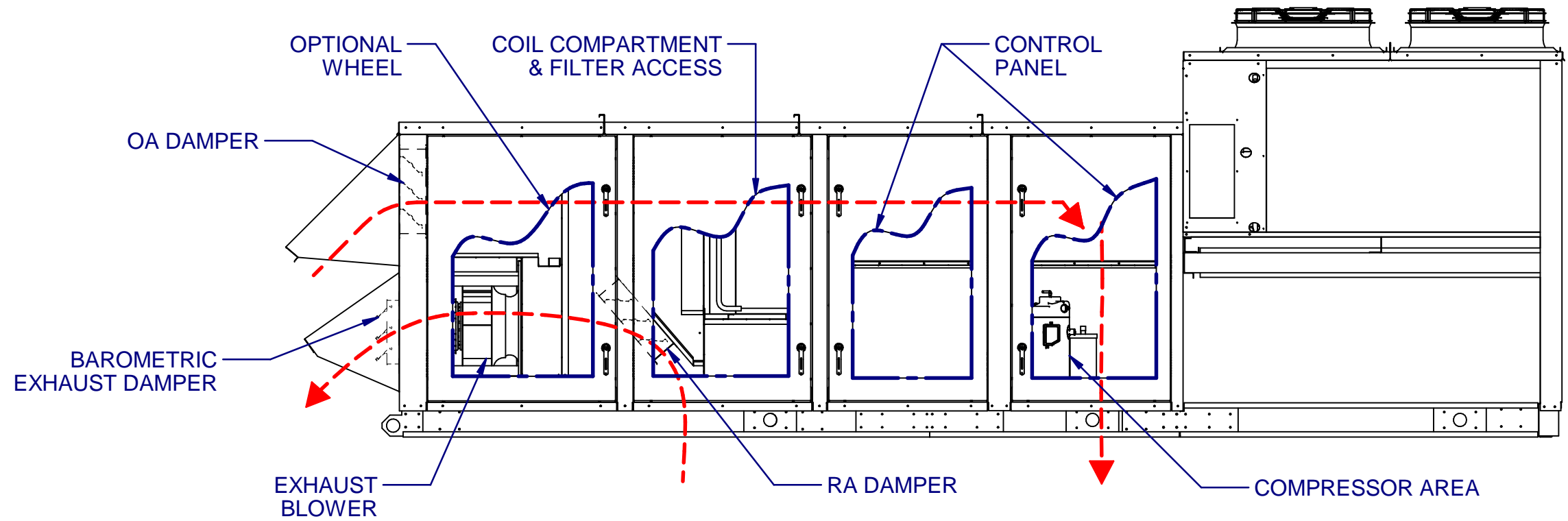


DRAWING NUMBER: 05041-2515	12/21/2015
TITLE: PR B4XL CAB	1 OF 3



TOP PLAN VIEW  
CONDENSING SIDE  
NOT SHOWN

DRAWING NUMBER: 05041-2515	12/21/2015
TITLE: PR B4XL CAB	2 OF 3

