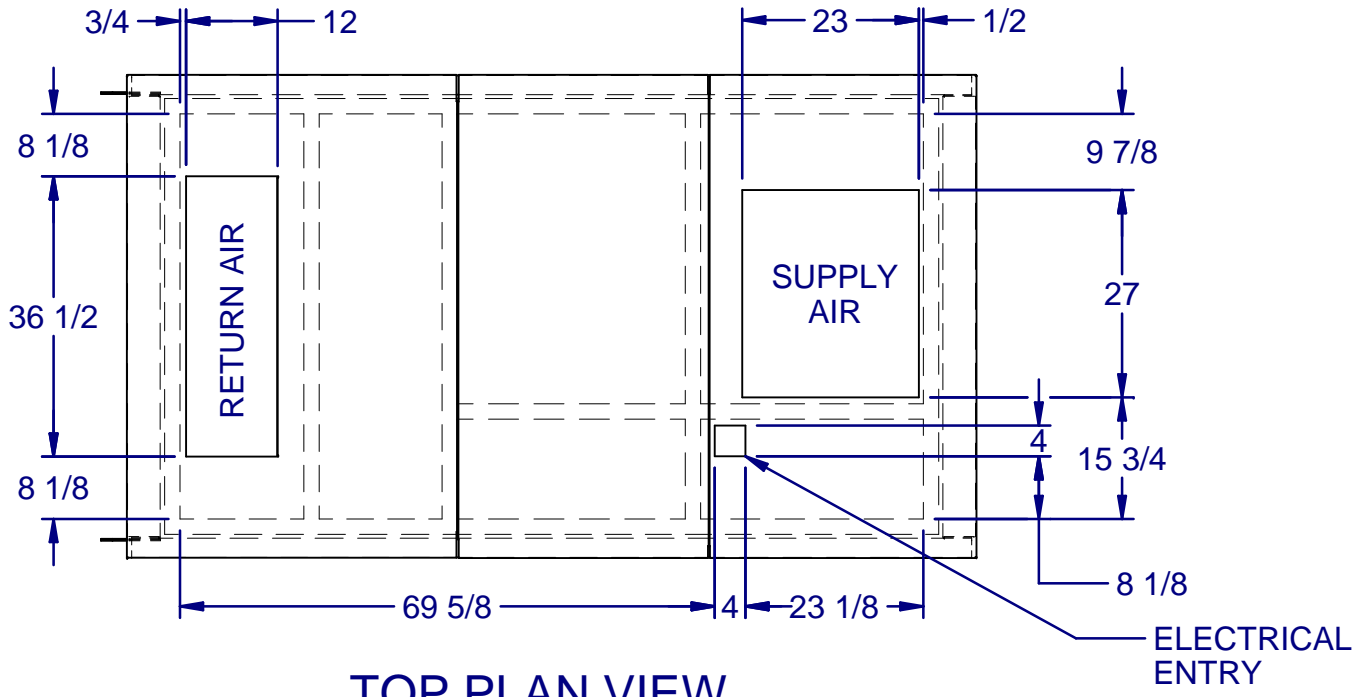
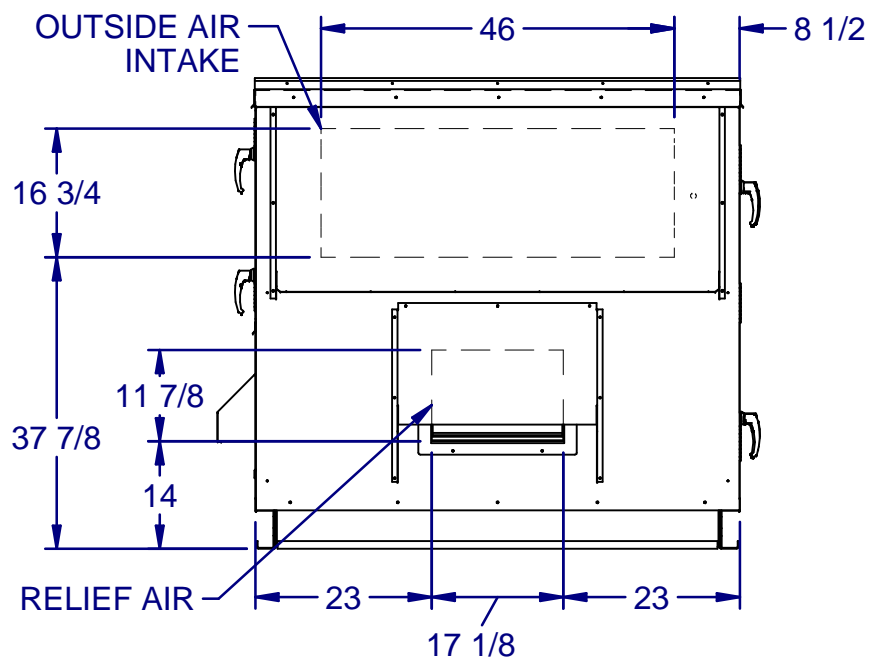
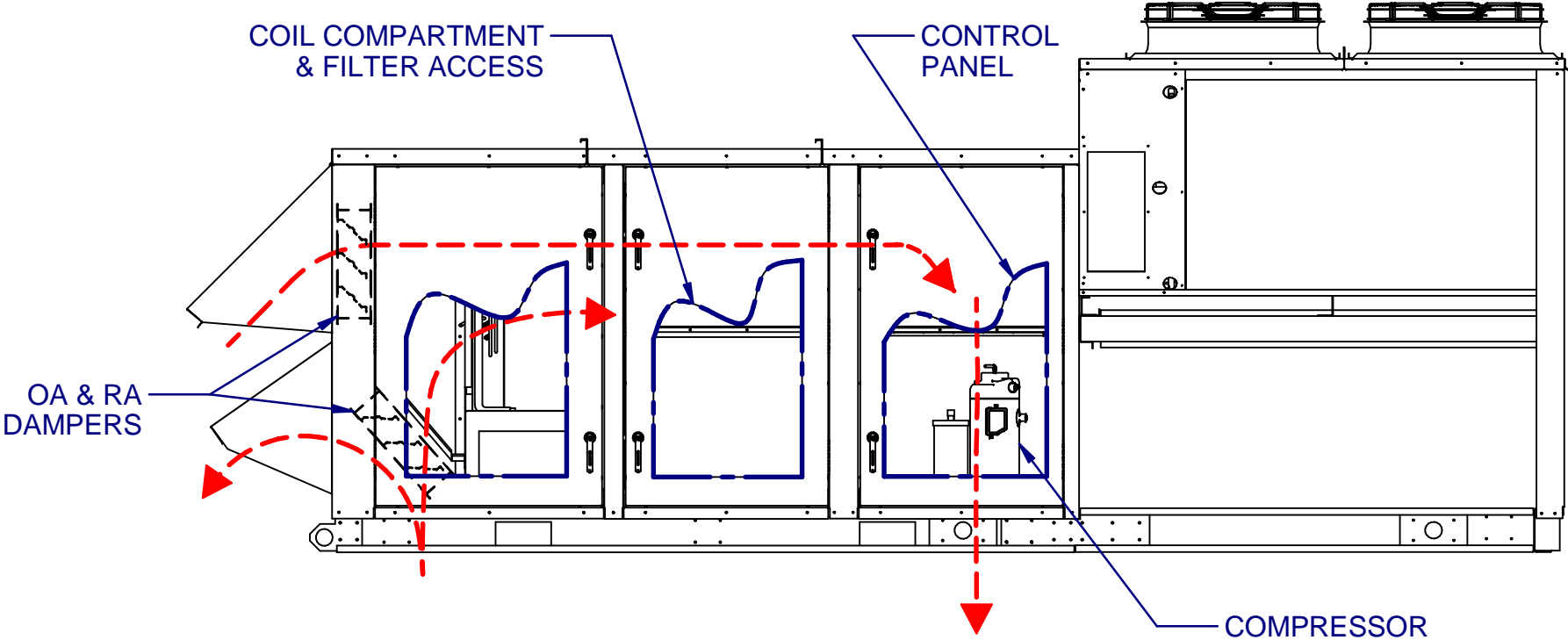


100% OUTSIDE AIR WITH RECIRCULATING OPTION OR MIXED AIR



**TOP PLAN VIEW
CONDENSING SIDE
NOT SHOWN**

DRAWING NUMBER: 0504I-2516-3	12/21/2015
TITLE: PR B4XL CAB NO EXH	1 OF 1