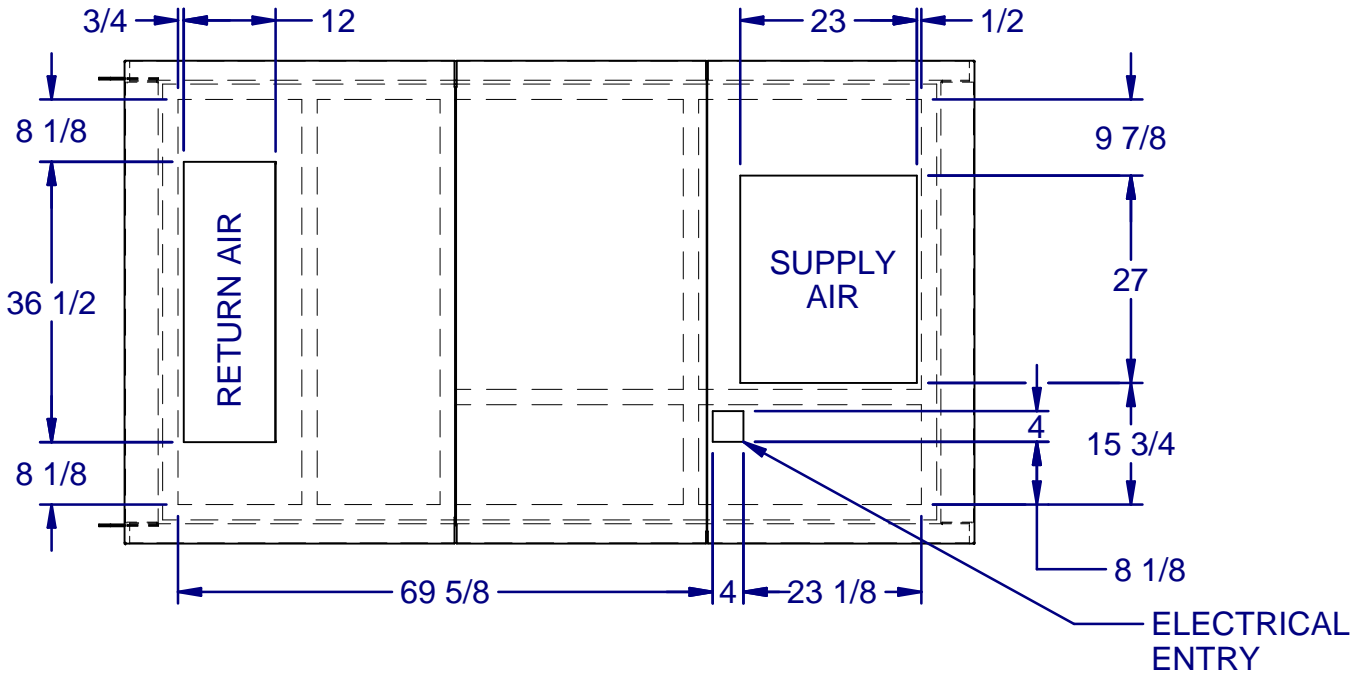
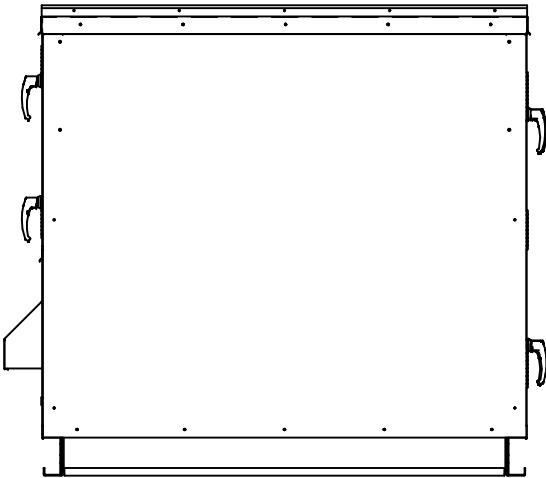
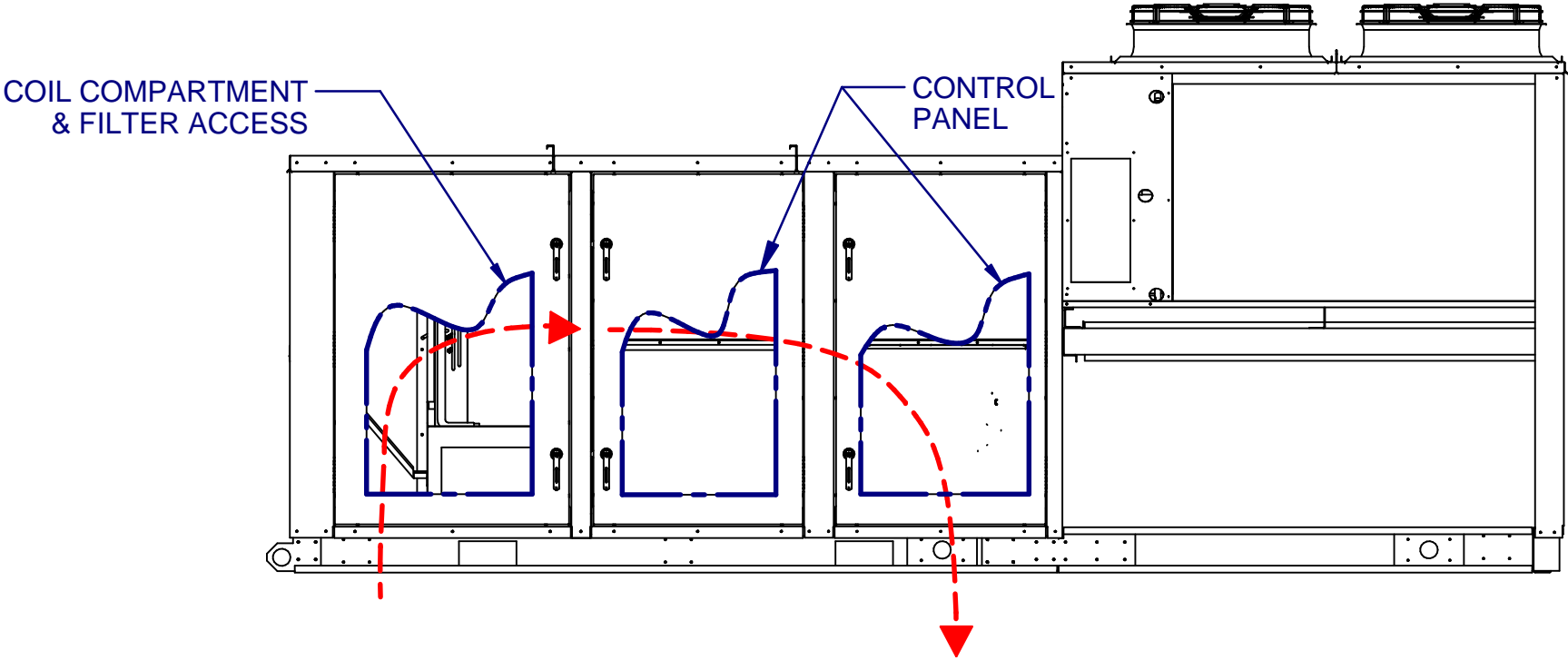


RECIRCULATING OPTION



TOP PLAN VIEW
CONDENSING SIDE
NOT SHOWN

DRAWING NUMBER: 0504I-2516-5	10/17/2016
TITLE: PR B4XL CAB NO EXH	1 OF 1