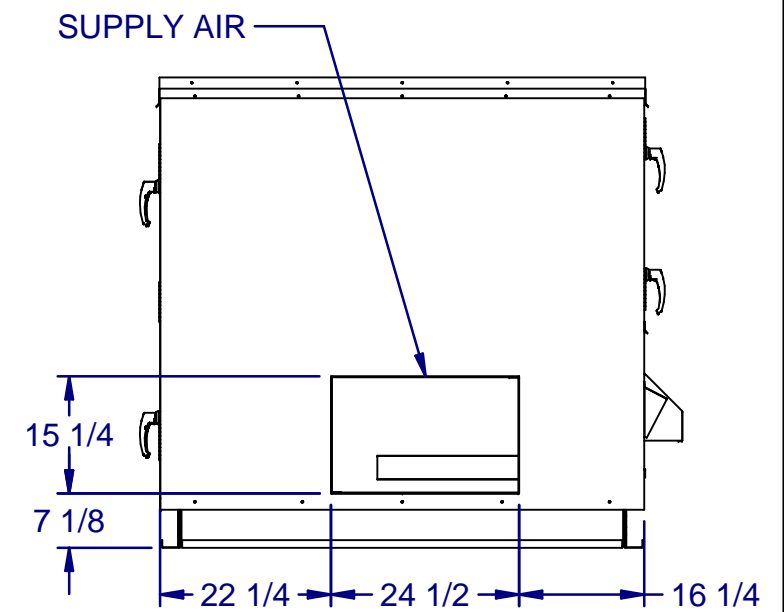
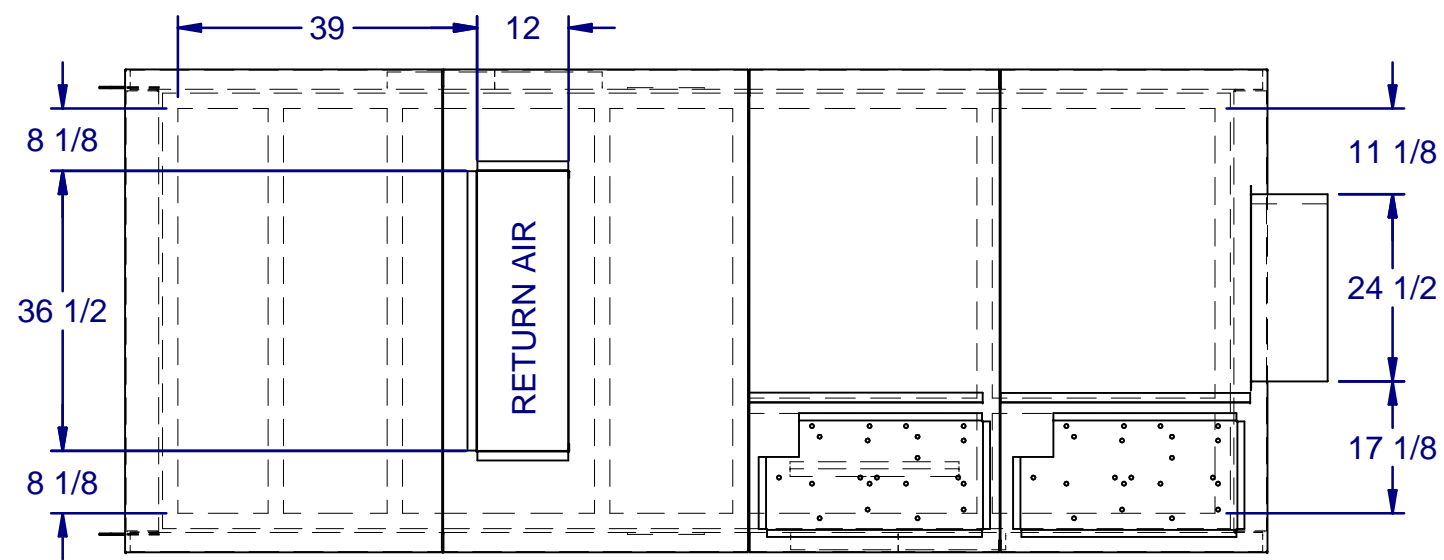
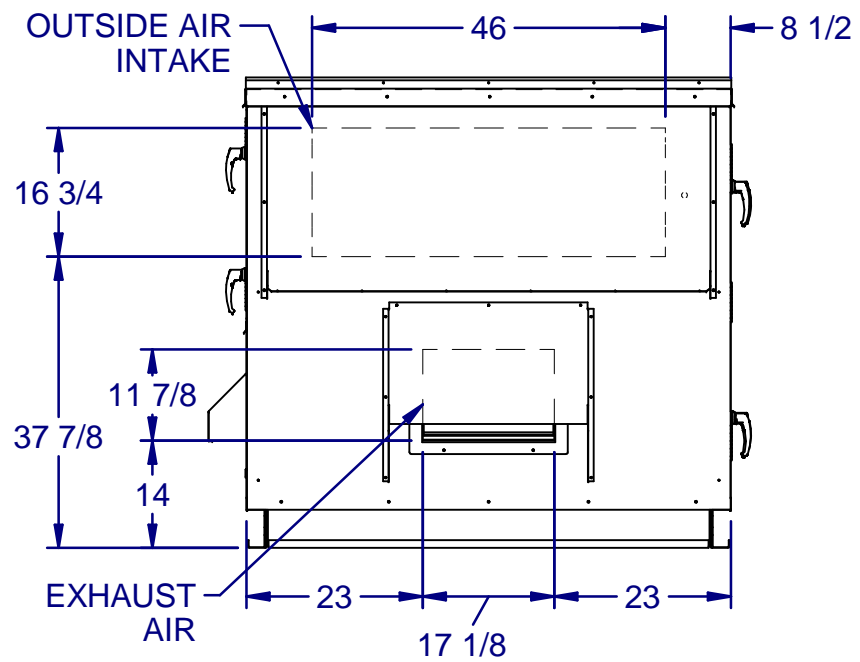
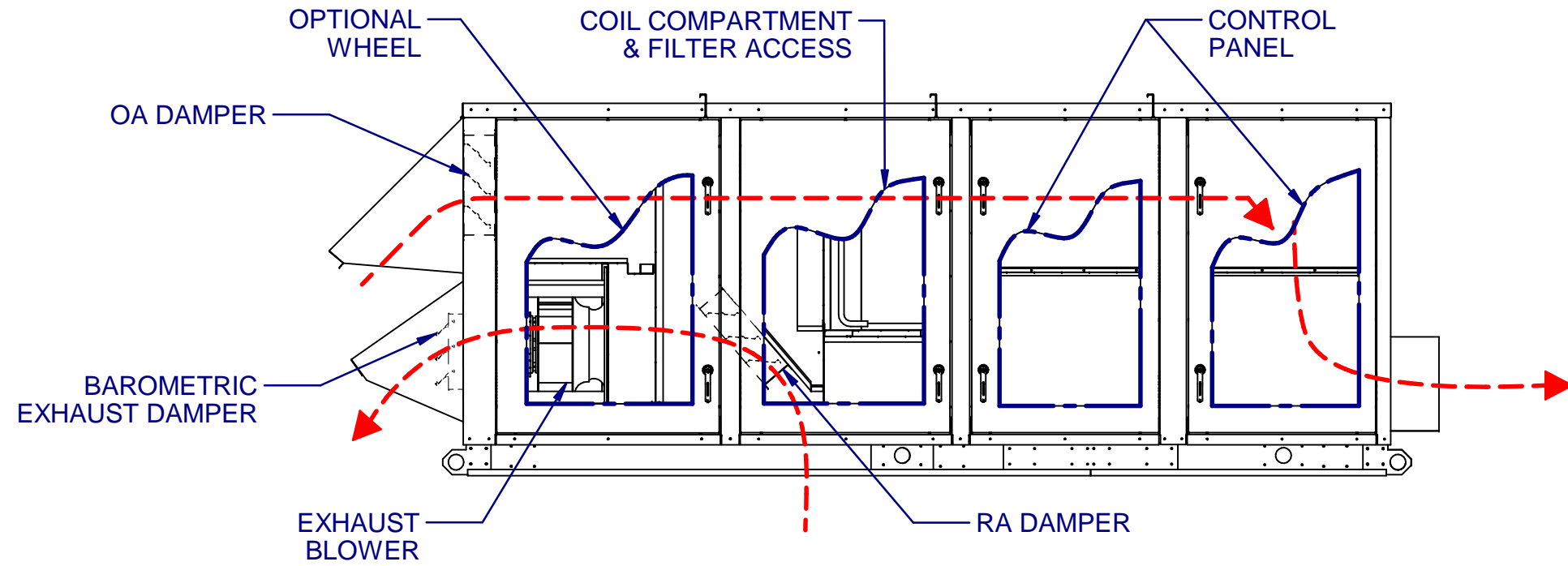


DRAWING NUMBER: 05041-2517	12/21/2015
TITLE: PR F BXL CAB HOR	1 OF 2



TOP PLAN VIEW

DRAWING NUMBER: 05041-2517	12/21/2015
TITLE: PR F BXL CAB HOR	2 OF 2