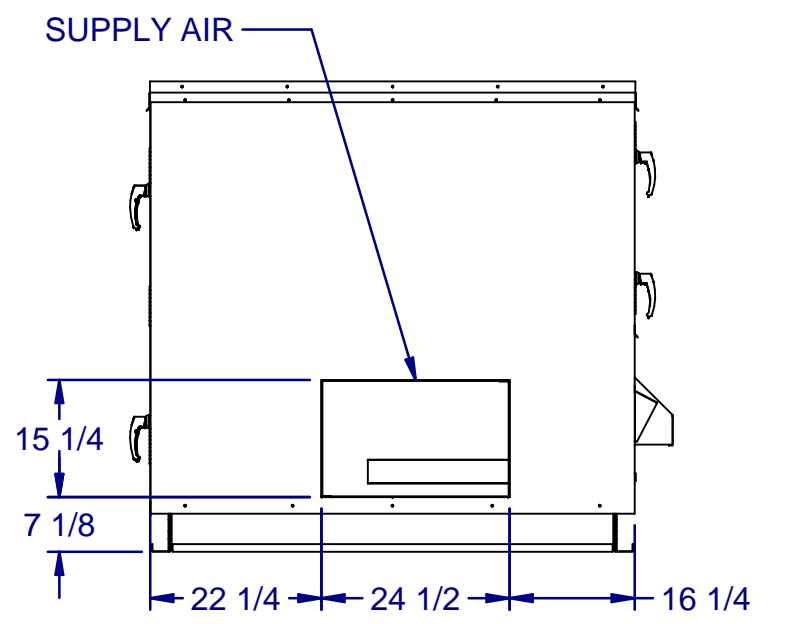
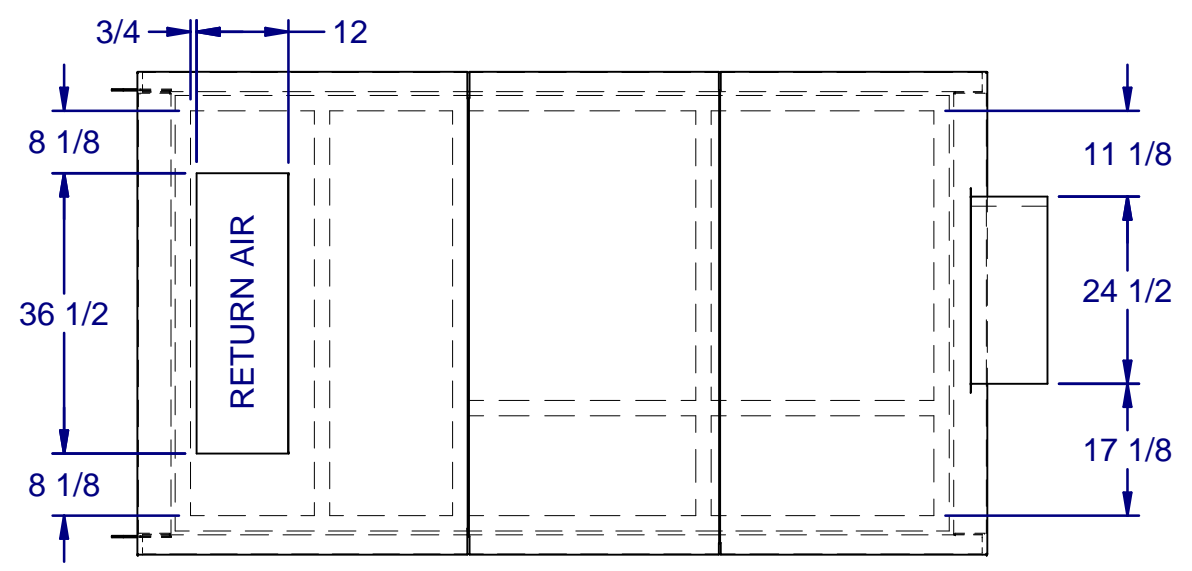
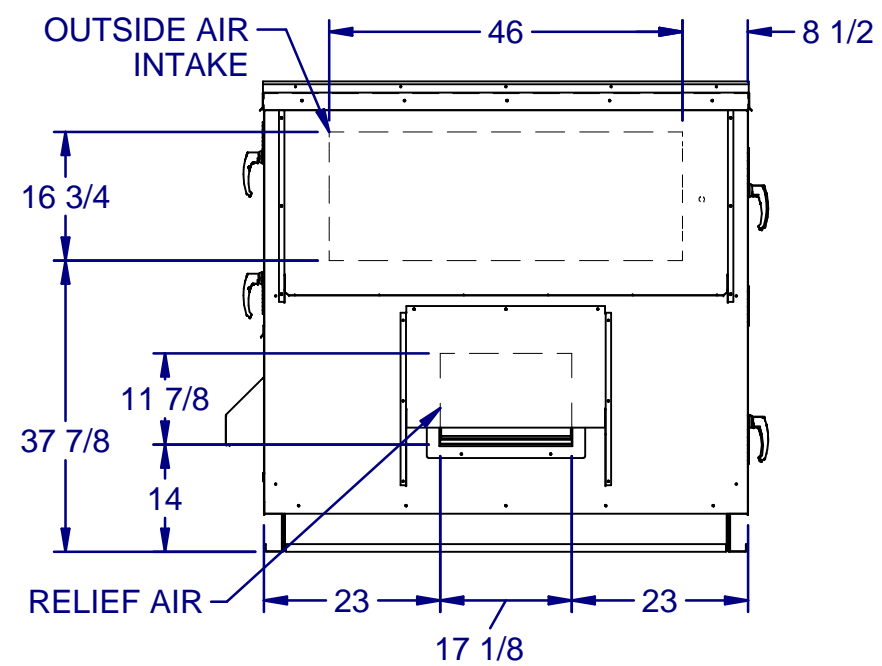
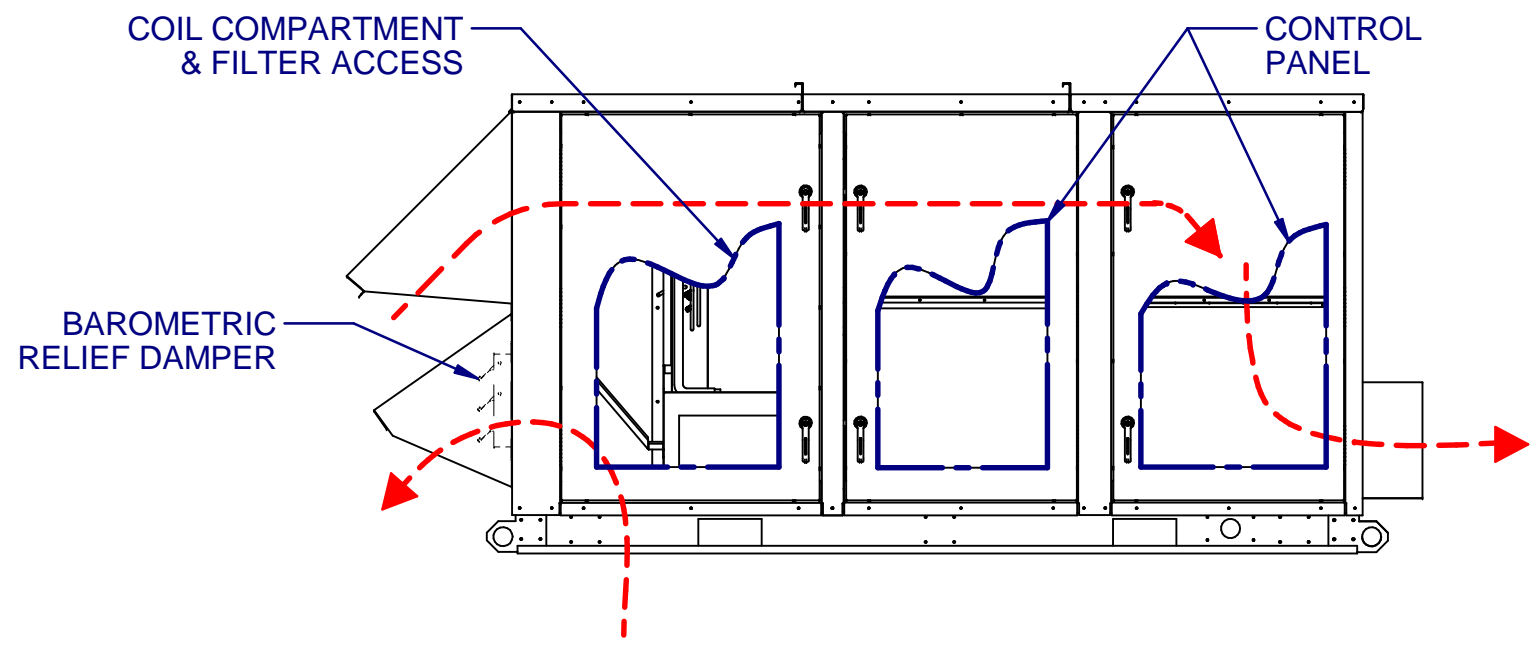


100% OUTSIDE AIR WITH BAROMETRIC RELIEF



TOP PLAN VIEW

DRAWING NUMBER: 05041-2518-2	12/21/2015
TITLE: PR F BXL CAB NO EXH HOR	1 OF 1