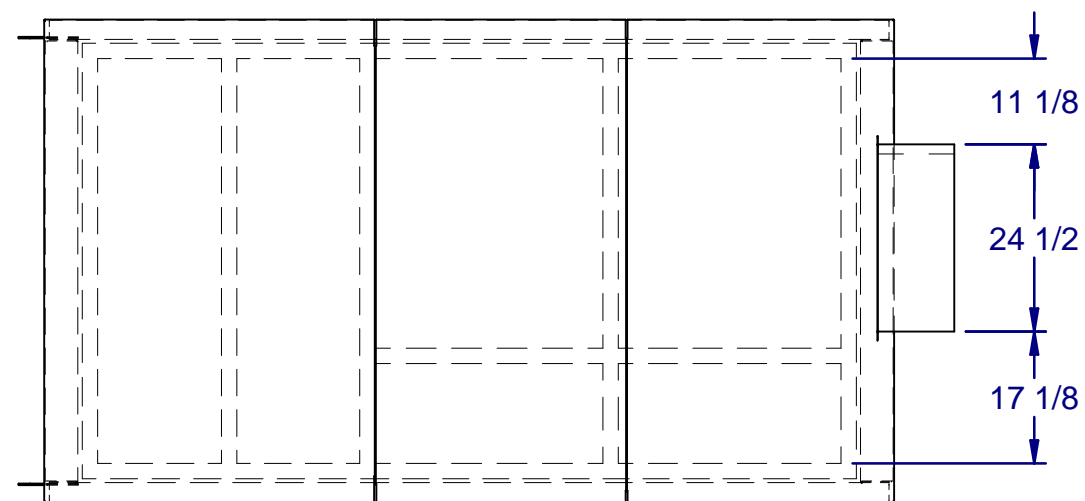
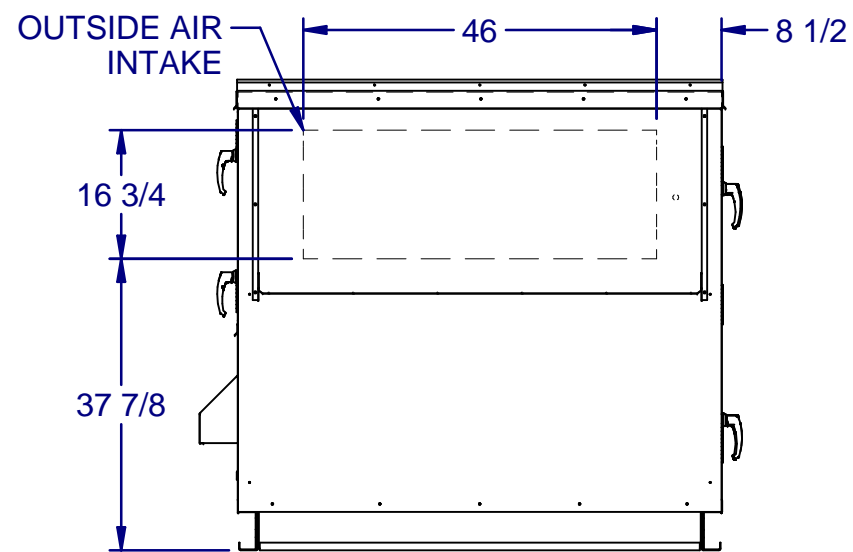
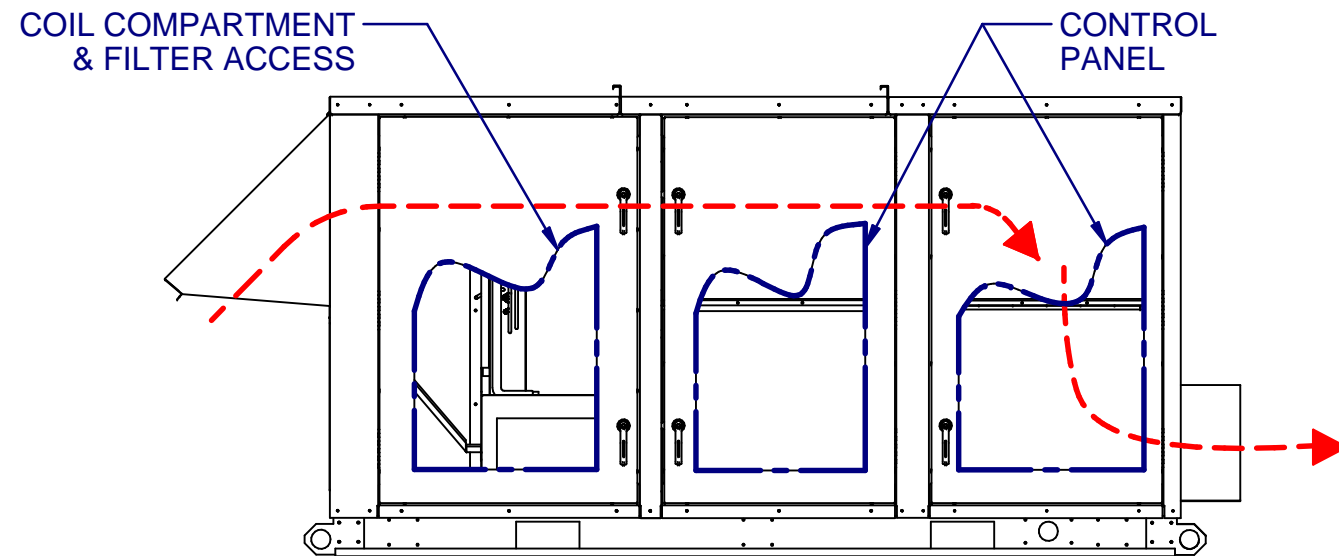
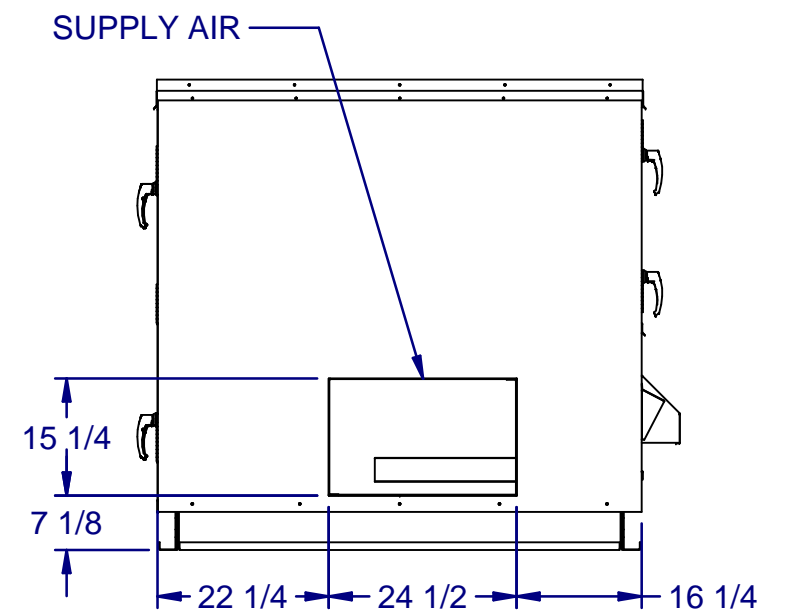


100% OUTSIDE AIR



TOP PLAN VIEW



DRAWING NUMBER: 05041-2518-4	12/21/2015
TITLE: PR F BXL CAB NO EXH HOR	1 OF 1