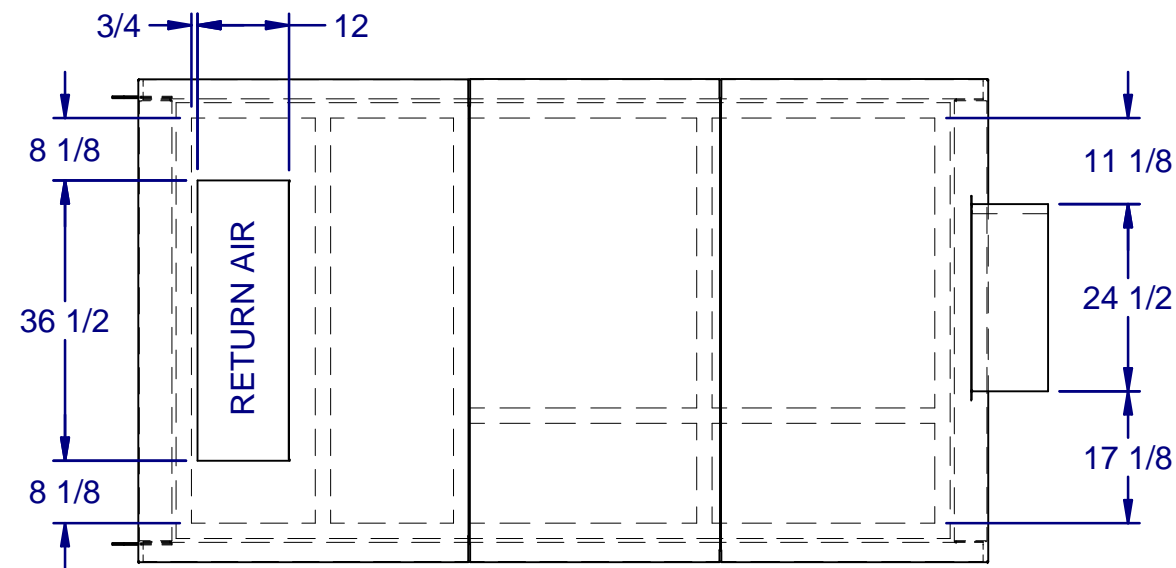
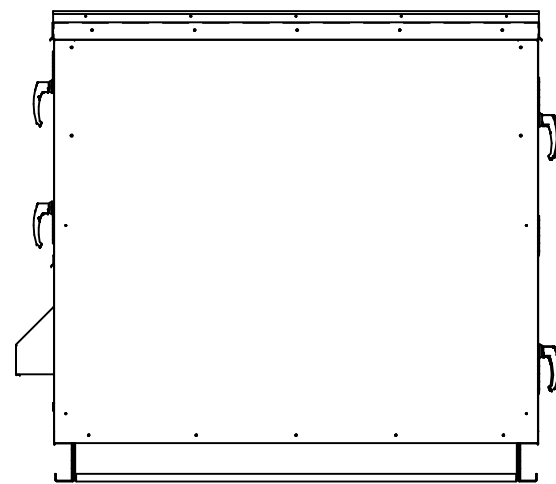
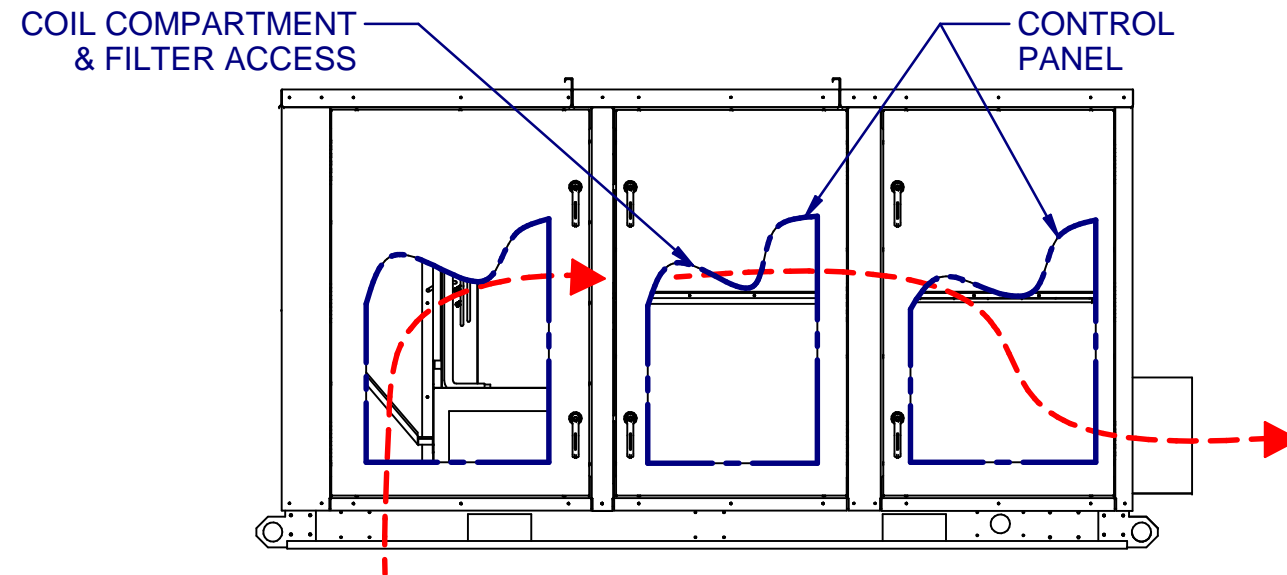
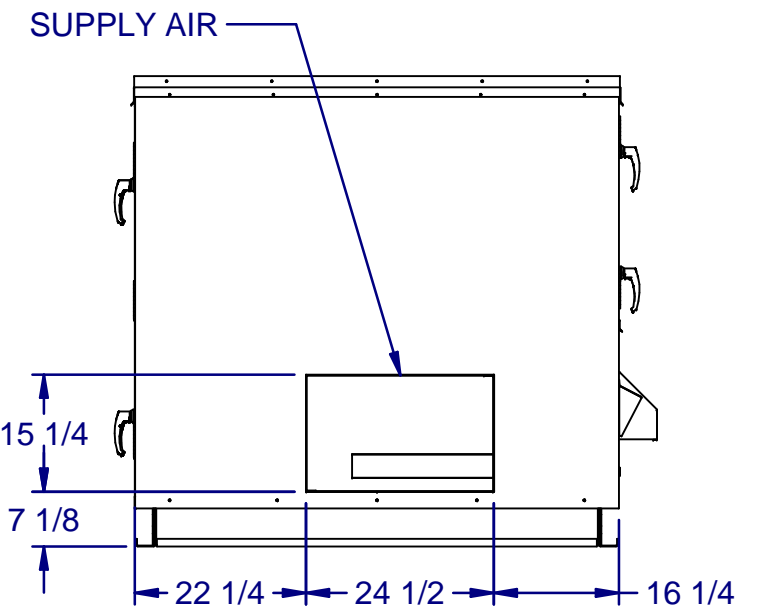


RECIRCULATING OPTION



TOP PLAN VIEW



| | |
|--------------------------------|------------|
| DRAWING NUMBER: 05041-2518-5 | 10/20/2016 |
| TITLE: PR F BXL CAB NO EXH HOR | 1 OF 1 |