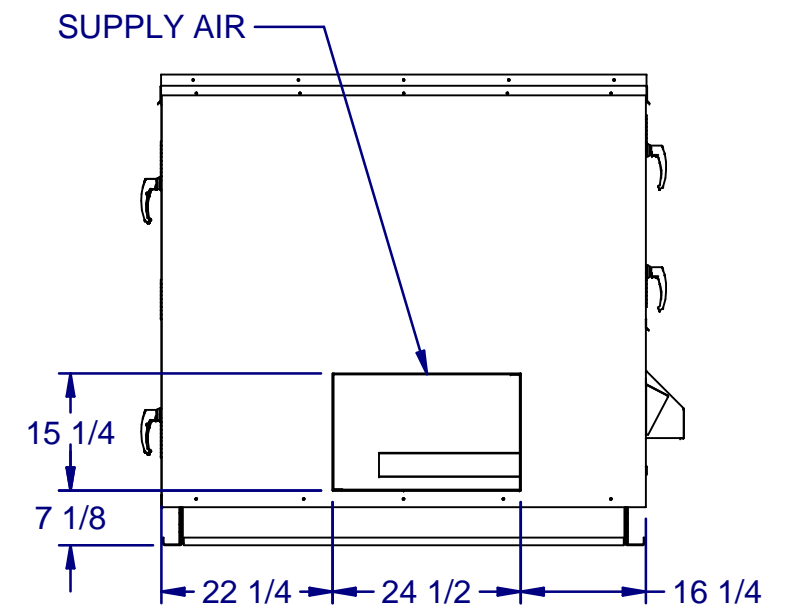
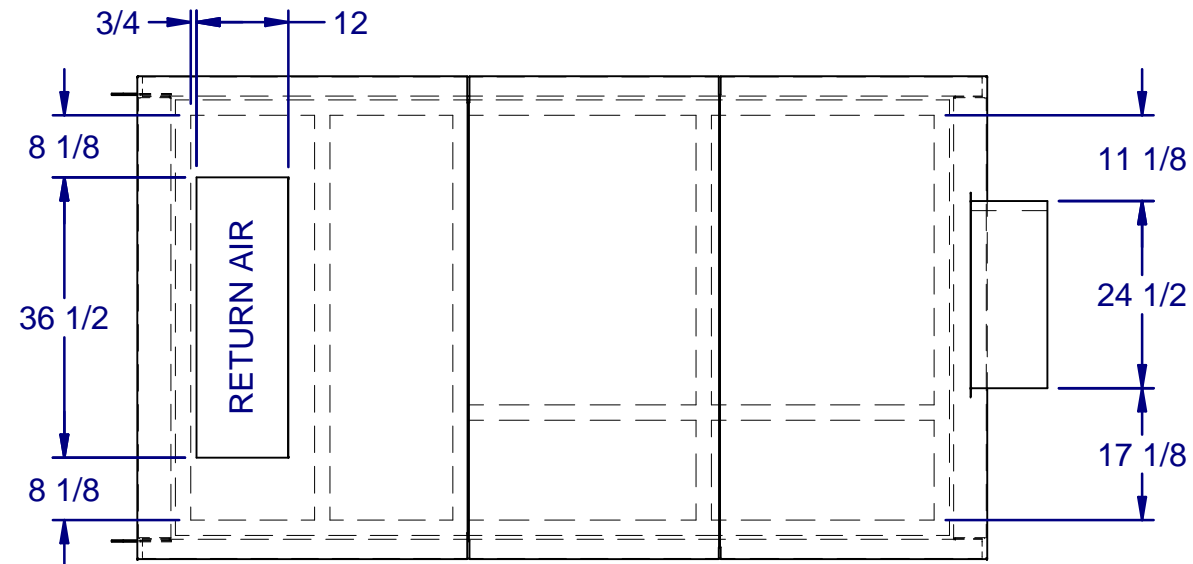
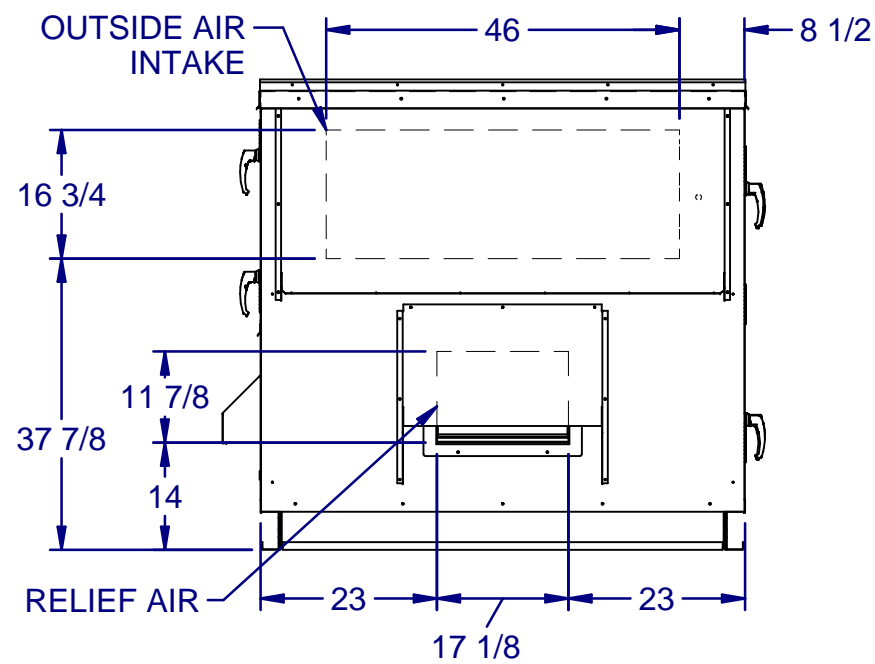
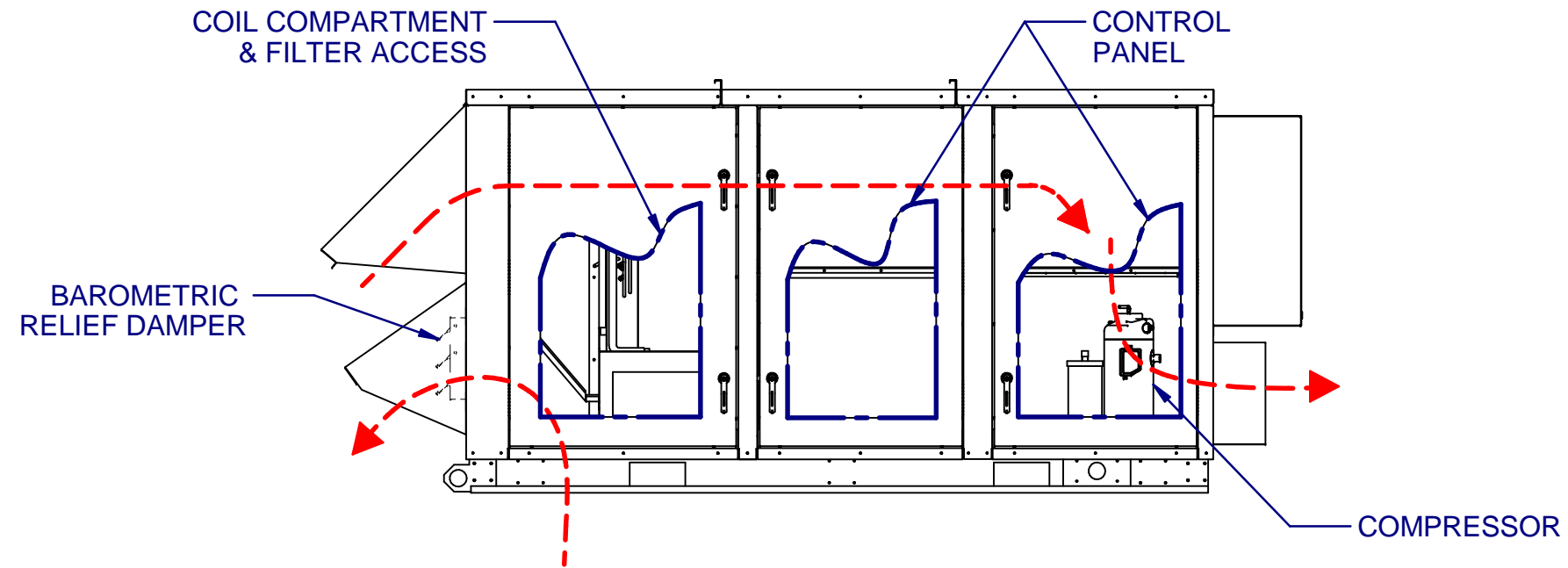


100% OUTSIDE AIR WITH BAROMETRIC RELIEF



TOP PLAN VIEW
CONDENSING SIDE
NOT SHOWN

DRAWING NUMBER: 05041-2520-2	12/21/2015
TITLE: PR WG BXL CAB NO EXH HOR	1 OF 1