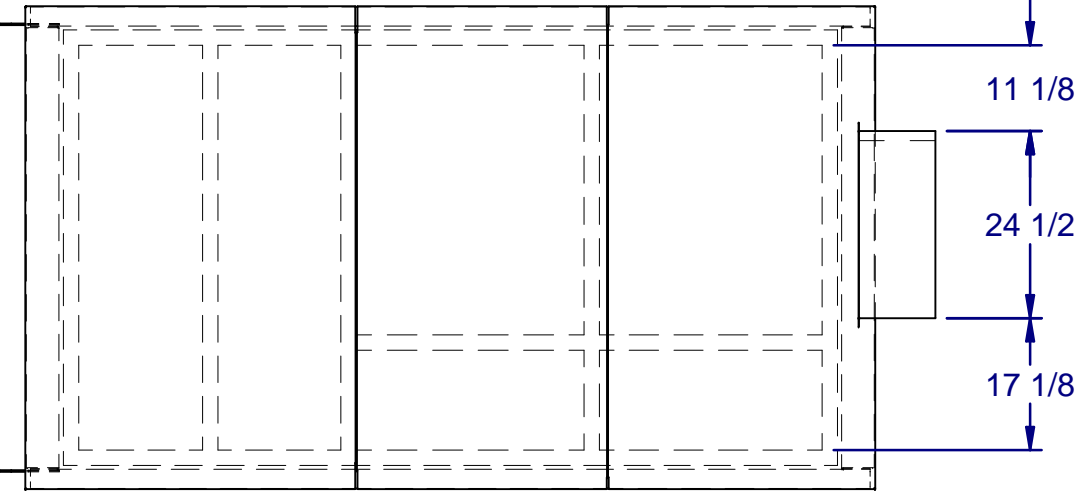
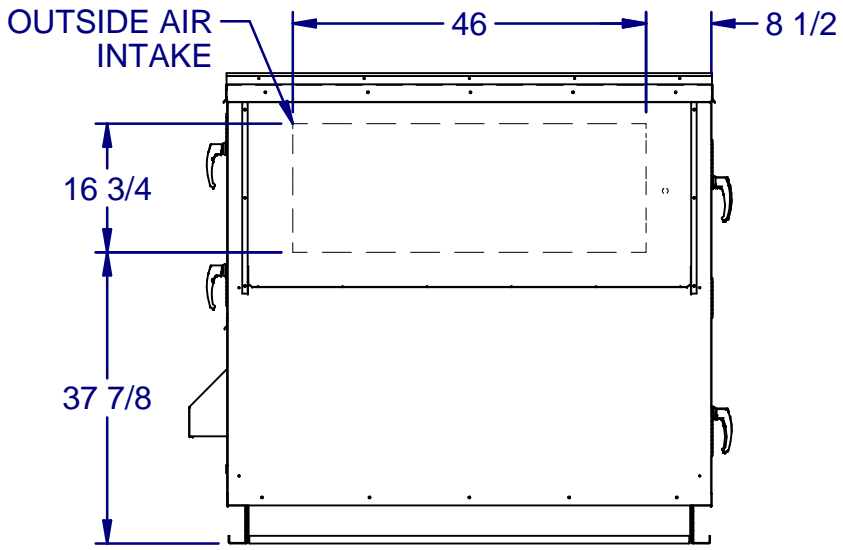
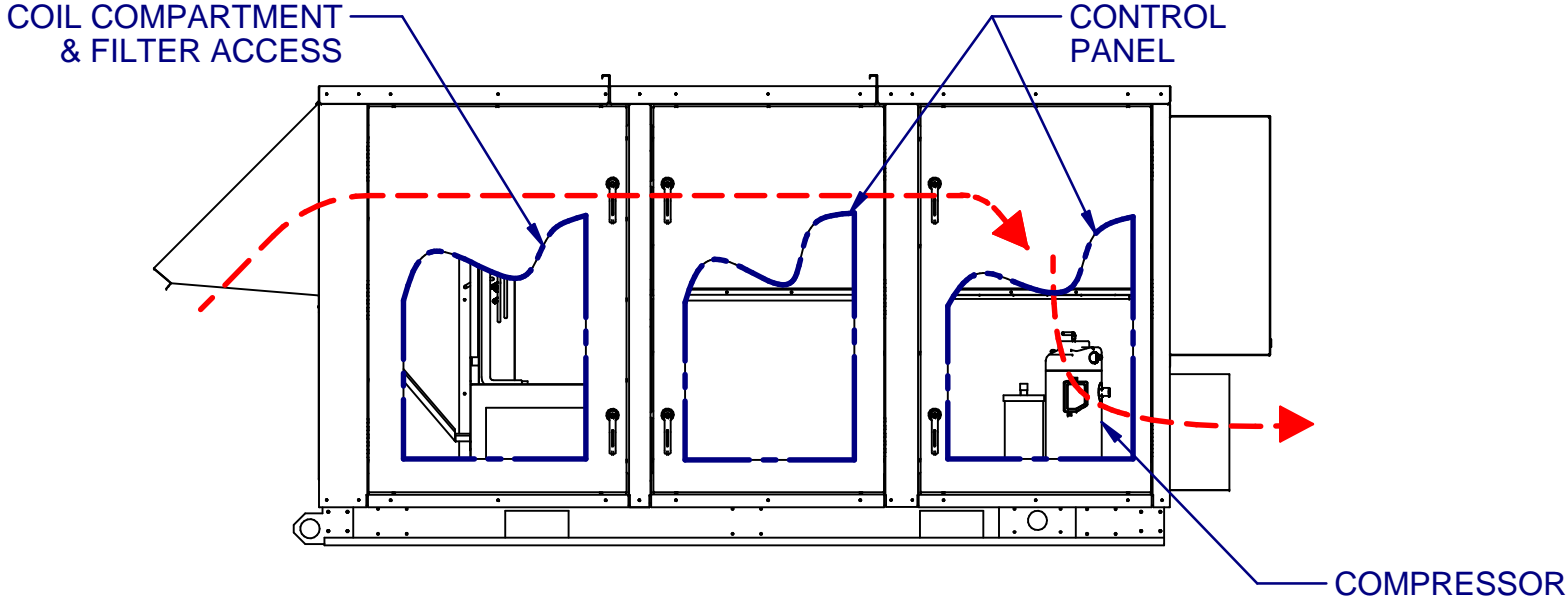
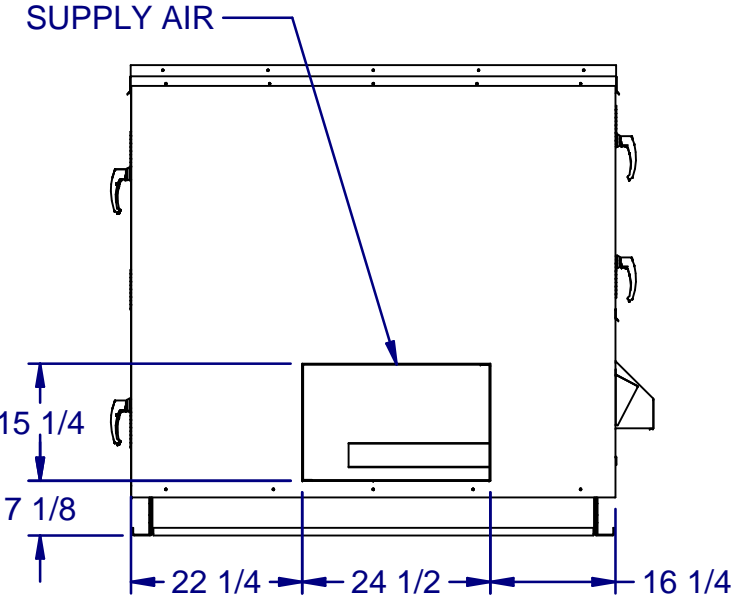


# 100% OUTSIDE AIR



TOP PLAN VIEW  
CONDENSING SIDE  
NOT SHOWN



DRAWING NUMBER: 0504I-2520-4	12/21/2015
TITLE: PR WG BXL CAB NO EXH HOR	1 OF 1