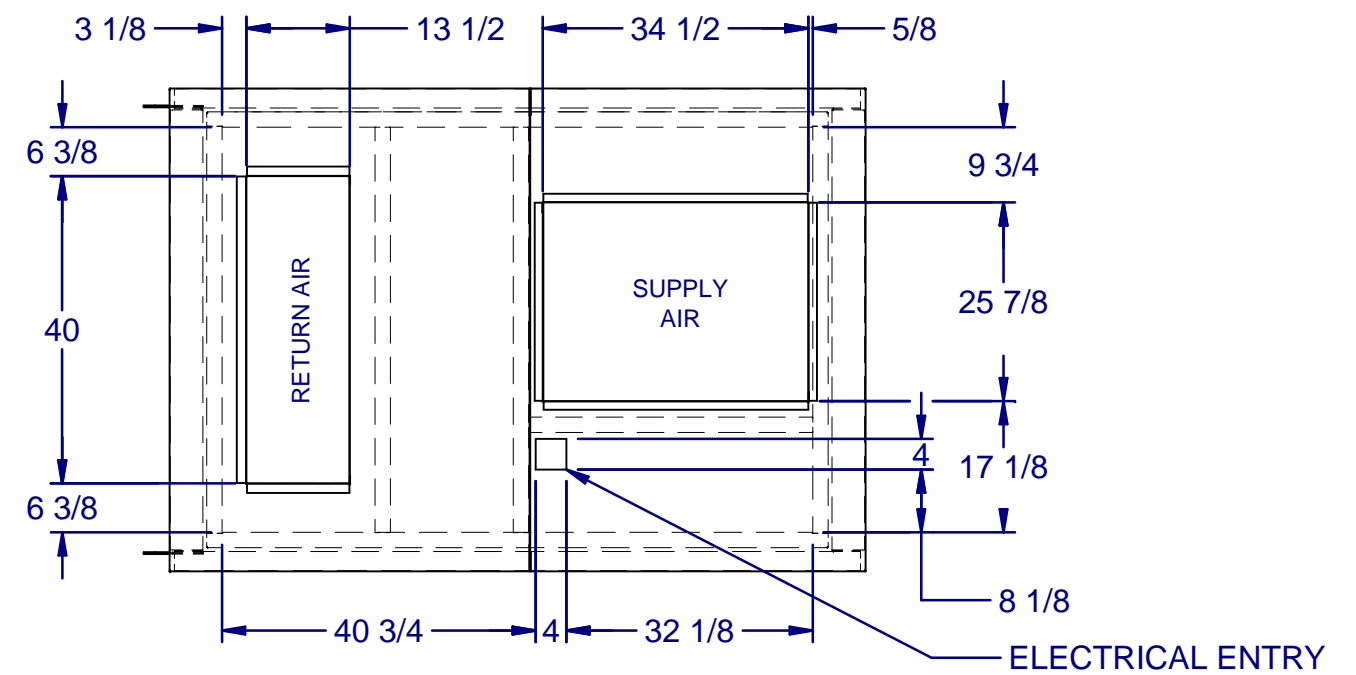
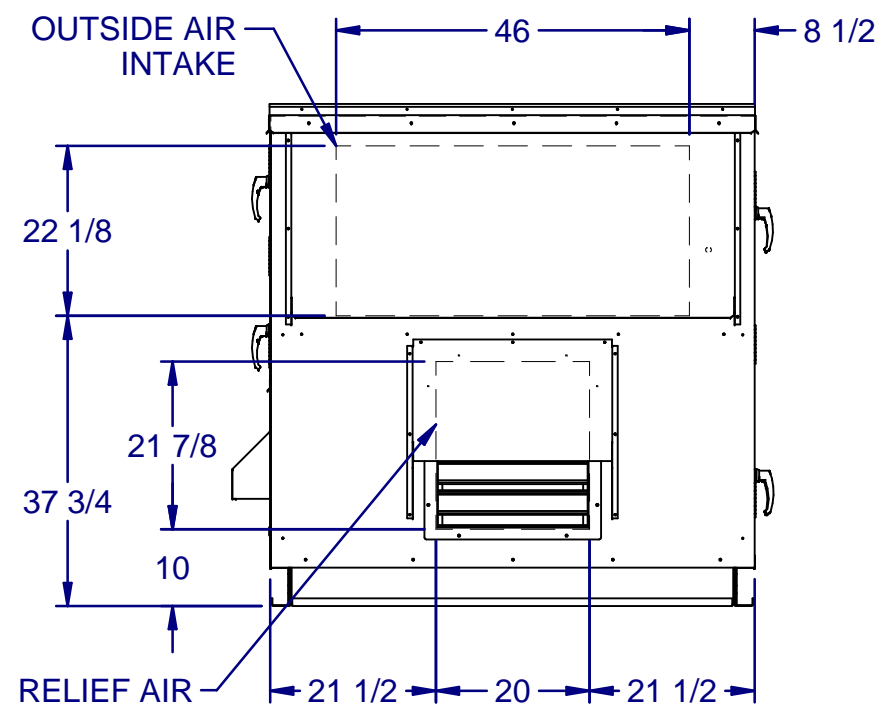
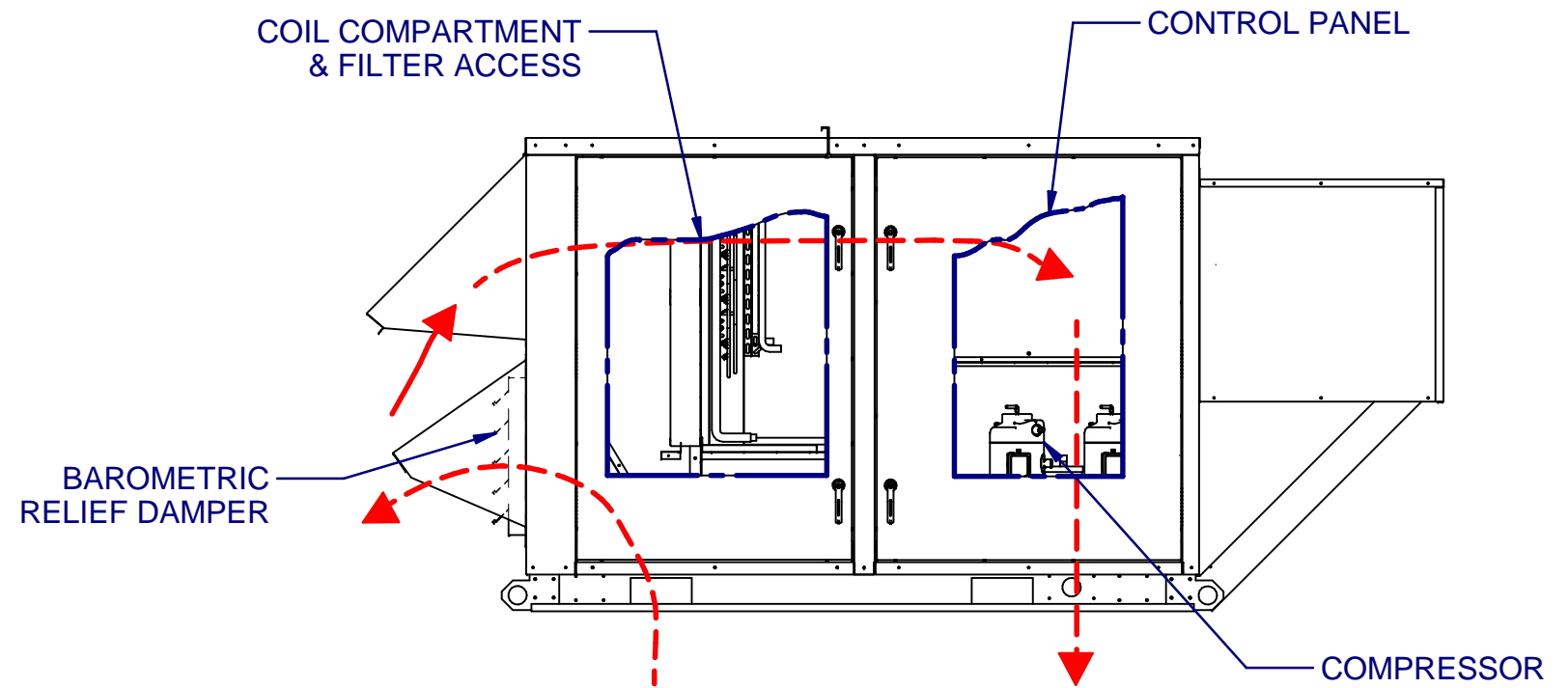


100% OUTSIDE AIR WITH BAROMETRIC RELIEF



TOP PLAN VIEW
CONDENSING SIDE
NOT SHOWN

DRAWING NUMBER: 0504I-2530-2	12/21/2015
TITLE: PR WG C CAB NO EXH	1 OF 1