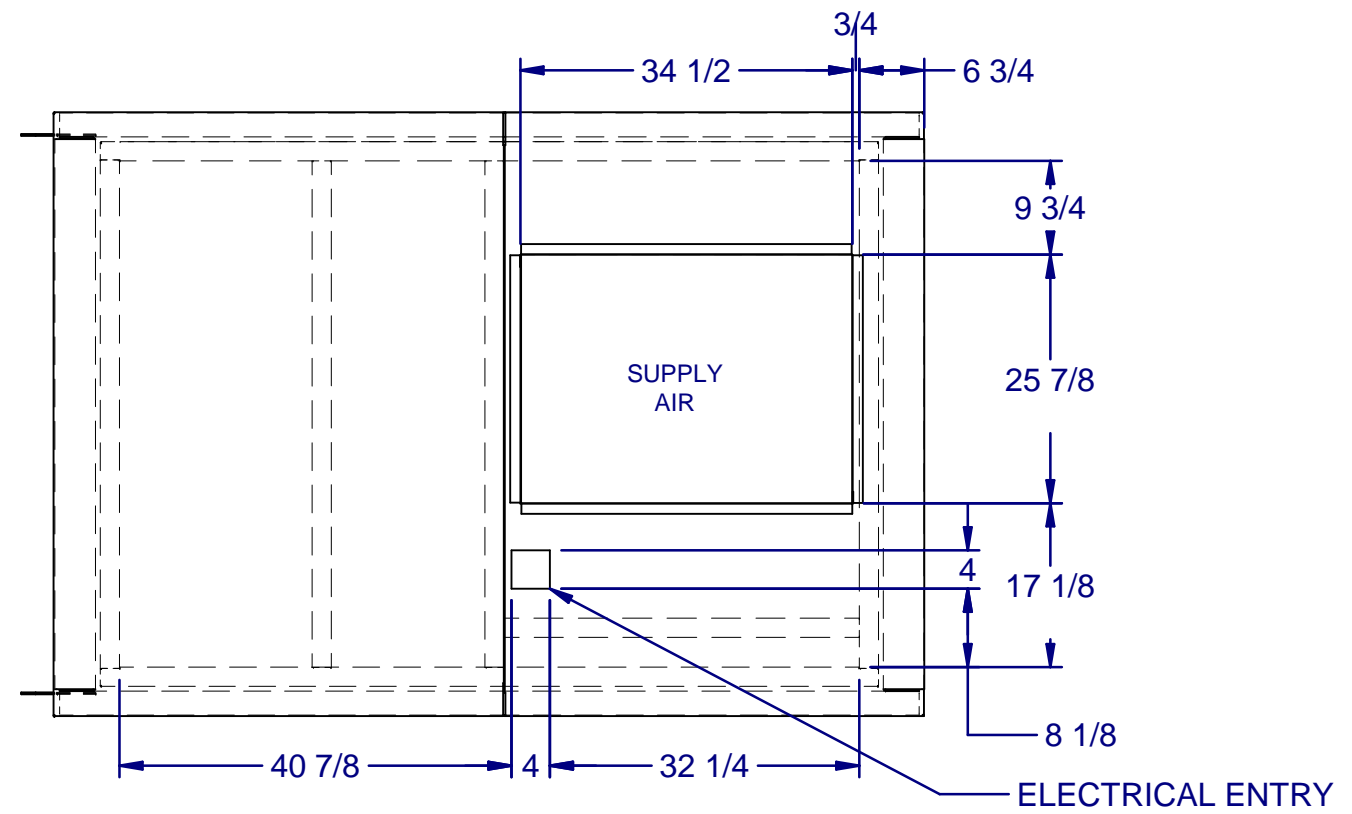
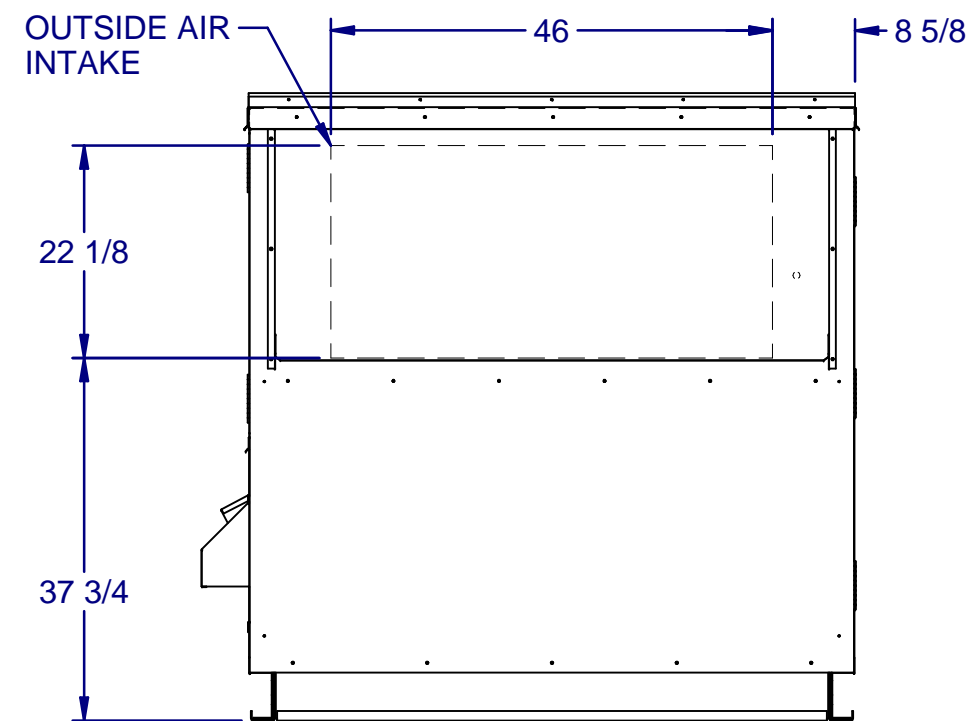
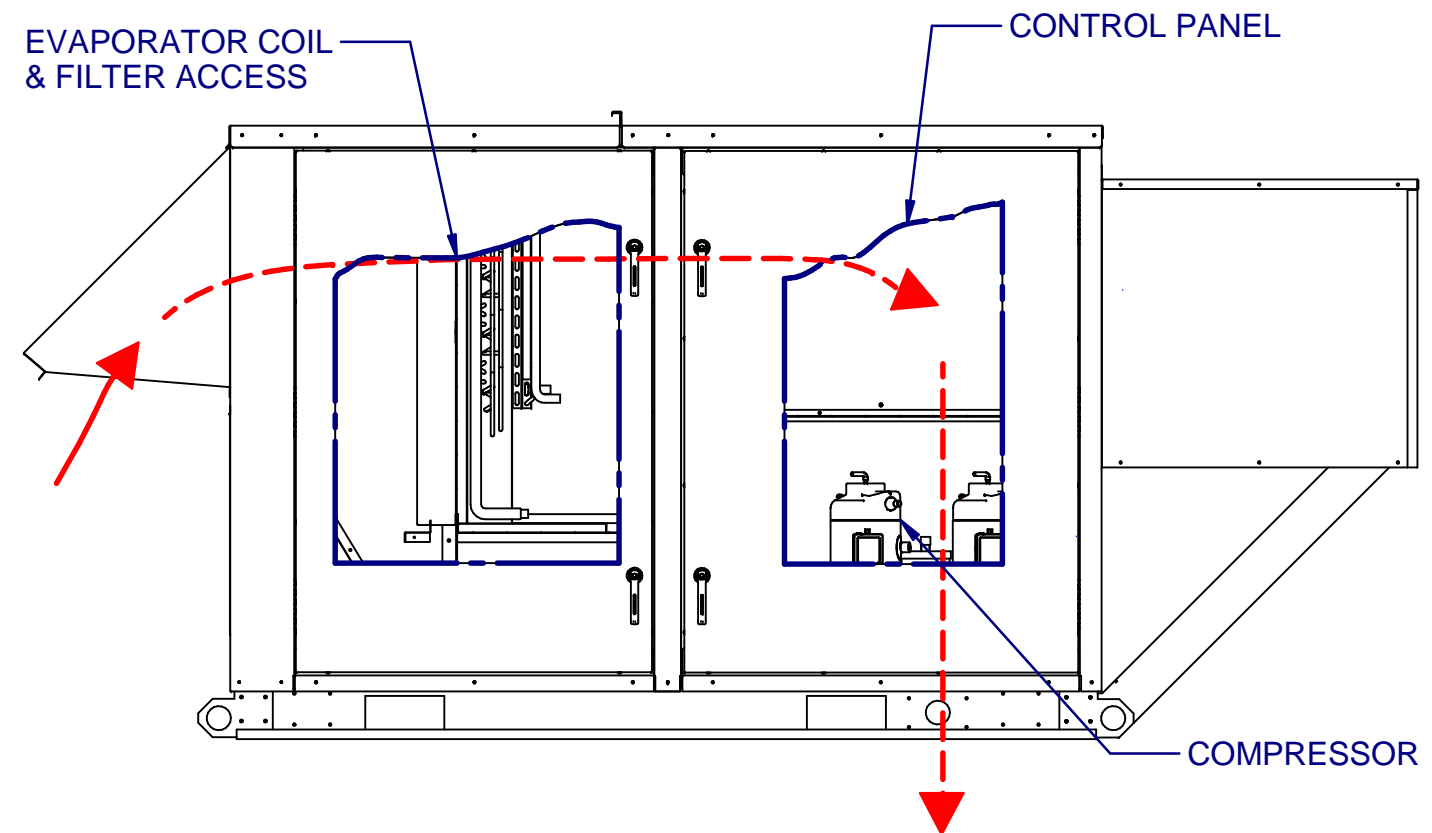


# 100% OUTSIDE AIR



CONDENSING SIDE  
NOT SHOWN

DRAWING NUMBER: 05041-2530-4	9/3/2015
TITLE: PR WG C CAB NO EXH	1 OF 1