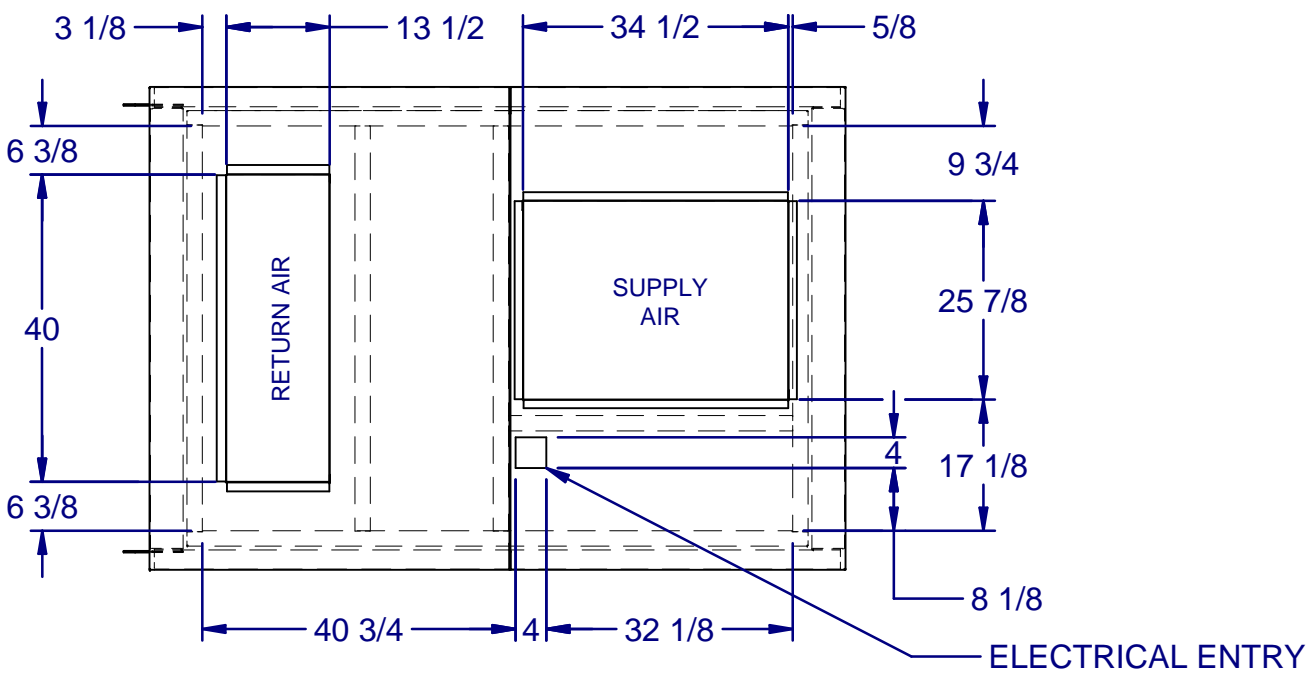
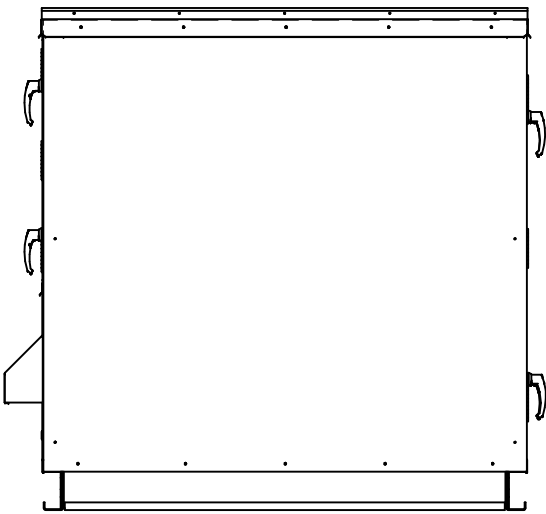
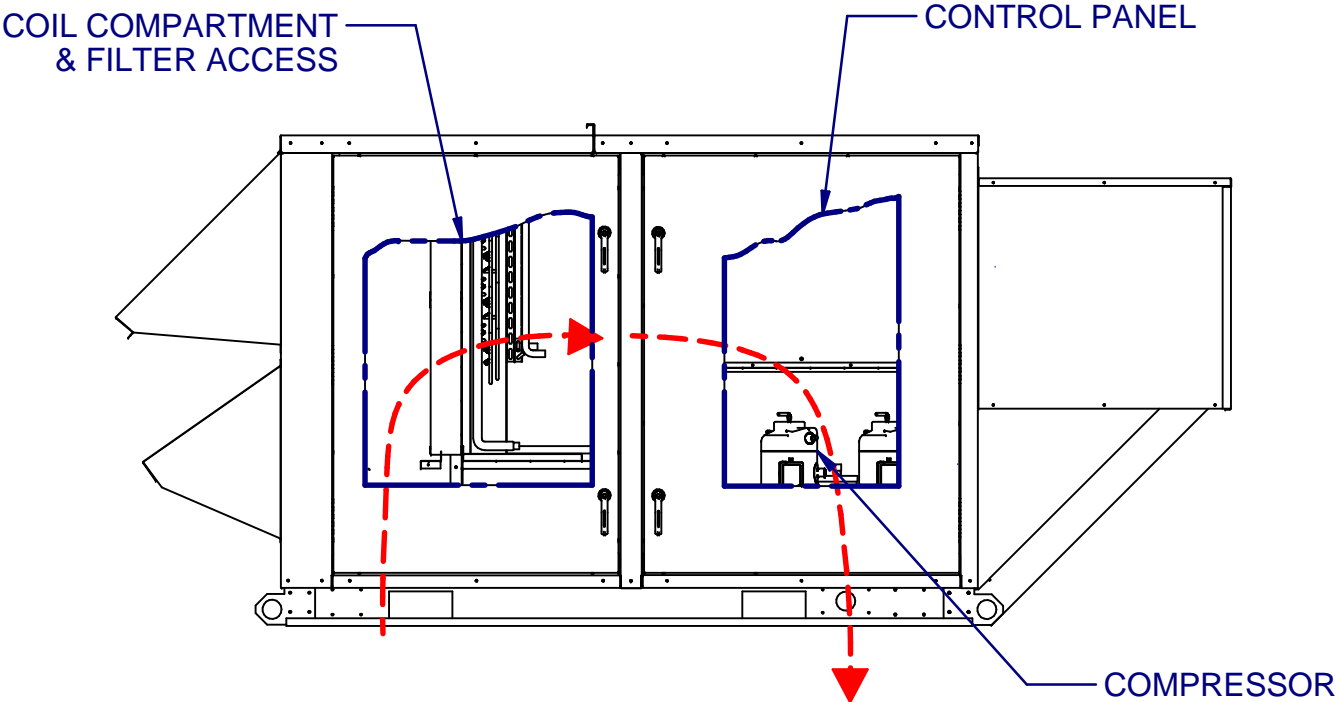


RECIRCULATING OPTION



TOP PLAN VIEW
CONDENSING SIDE
NOT SHOWN

DRAWING NUMBER: 05041-2530-5	11/7/2016
TITLE: PR WG C CAB NO EXH	1 OF 1