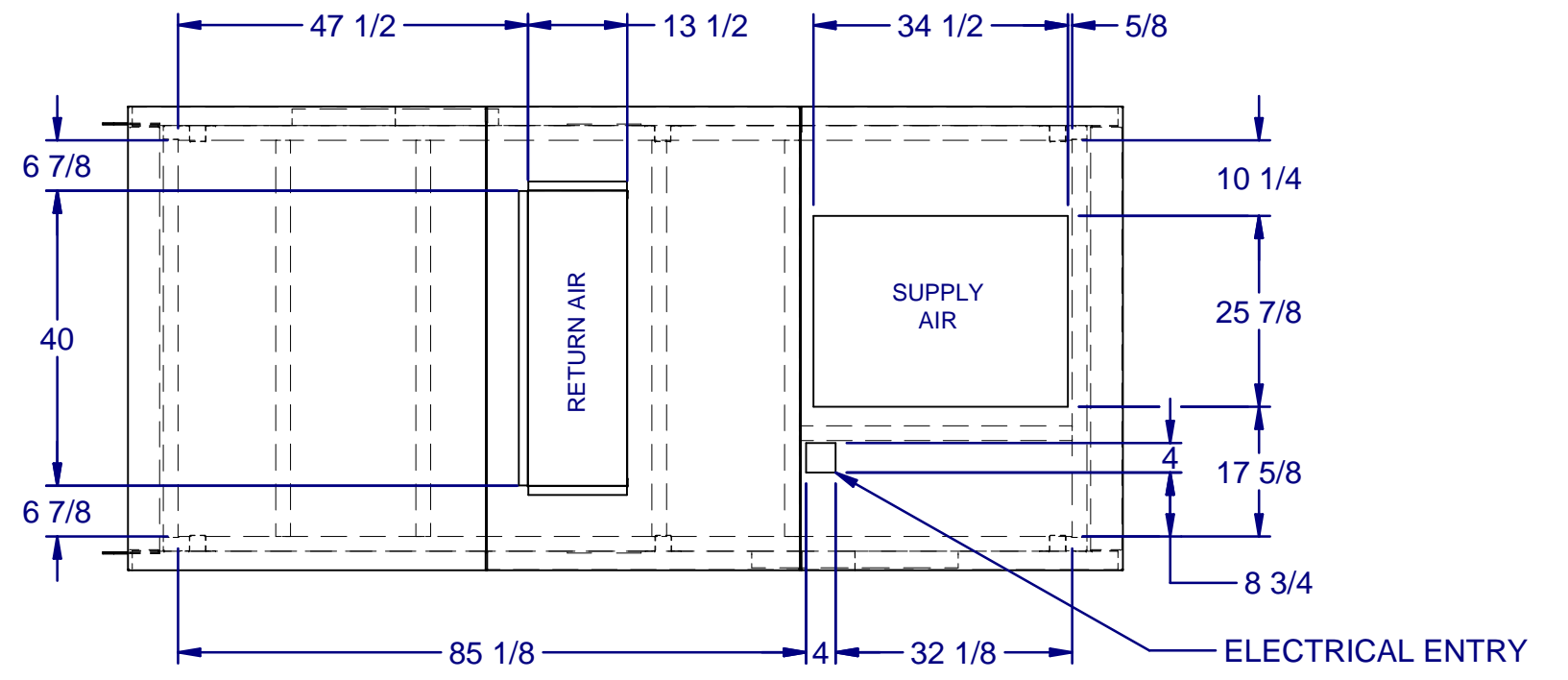
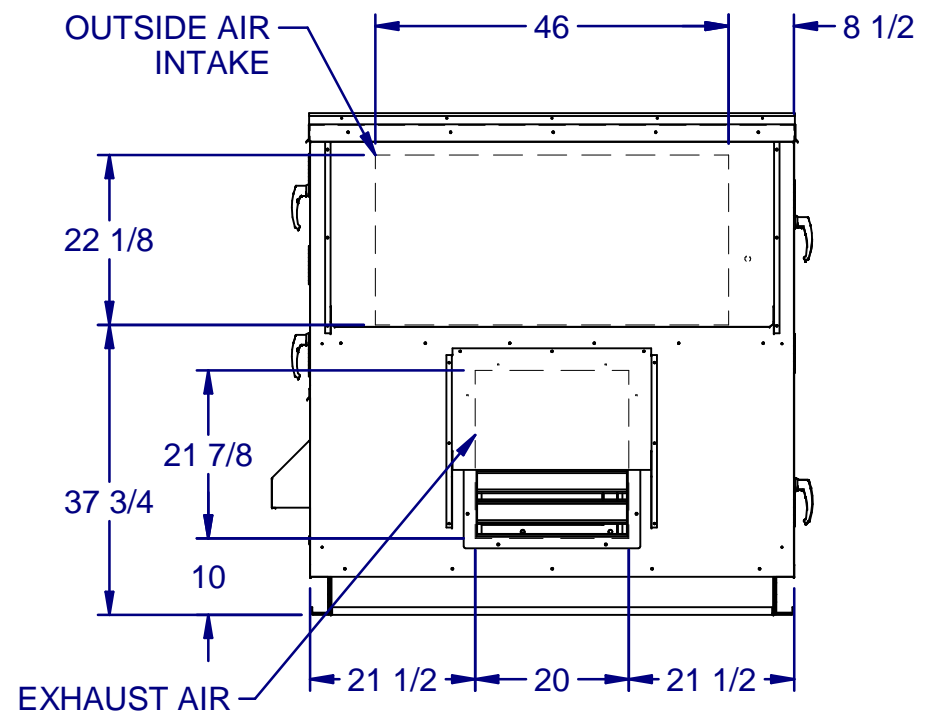
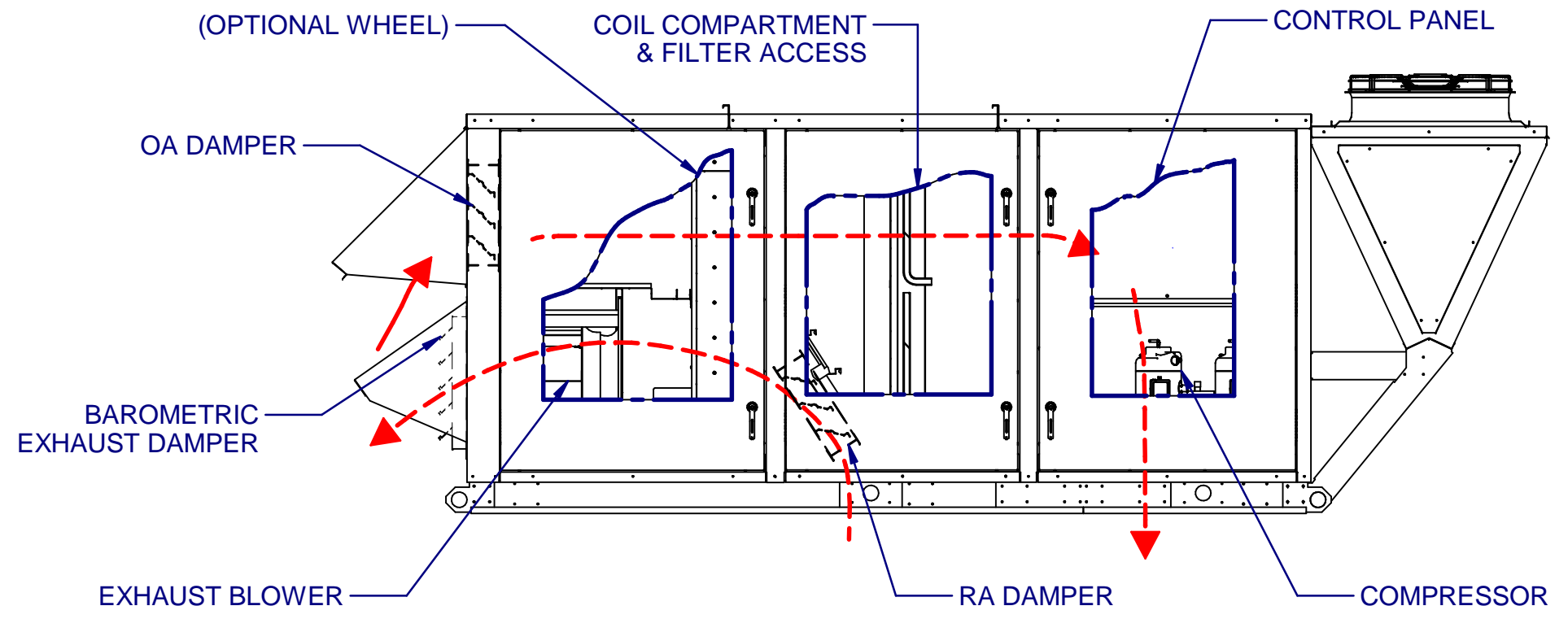


DRAWING NUMBER: 05041-2531	12/21/2015
TITLE: PR C2 CAB	1 OF 2



TOP PLAN VIEW  
 CONDENSING SIDE  
 NOT SHOWN

DRAWING NUMBER: 05041-2531	12/21/2015
TITLE: PR C2 CAB	2 OF 2