

100% OUTSIDE AIR

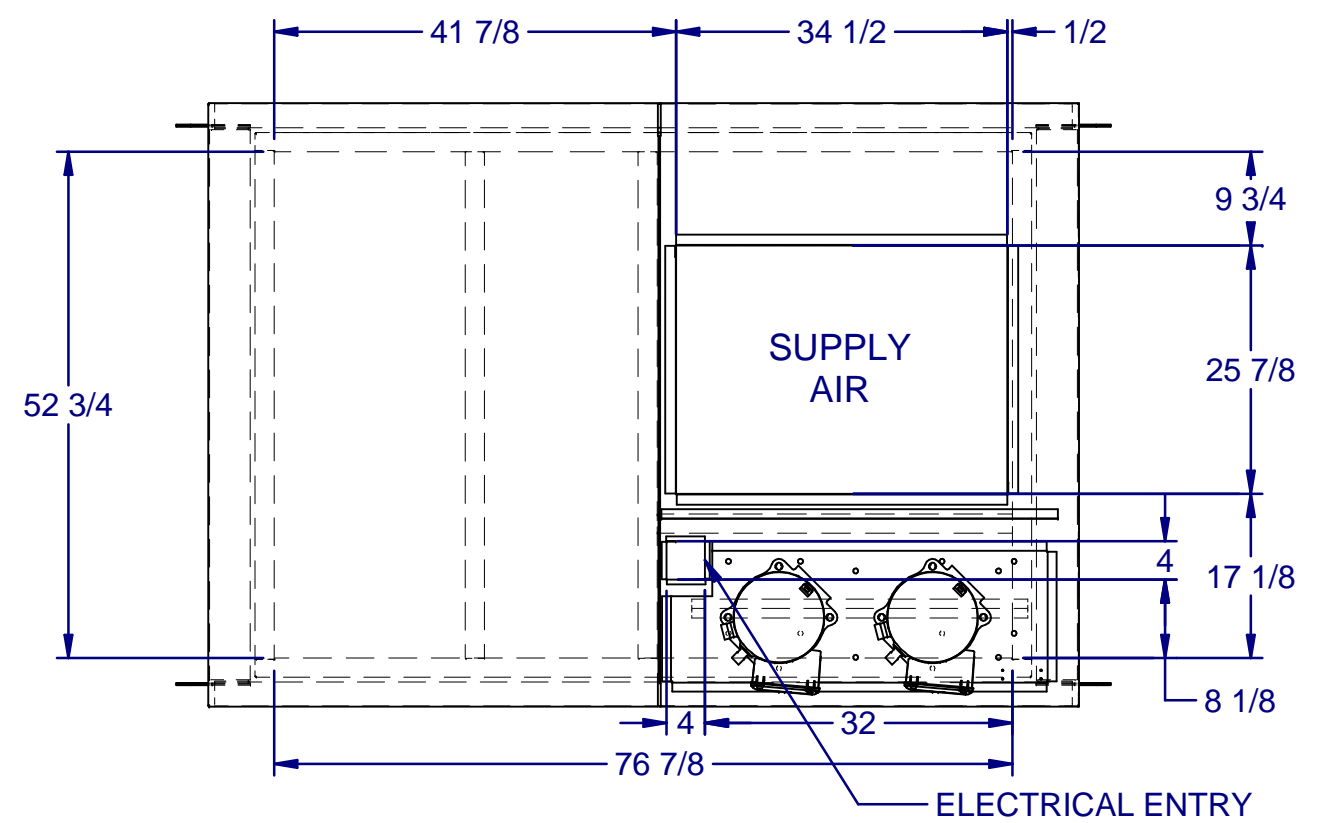
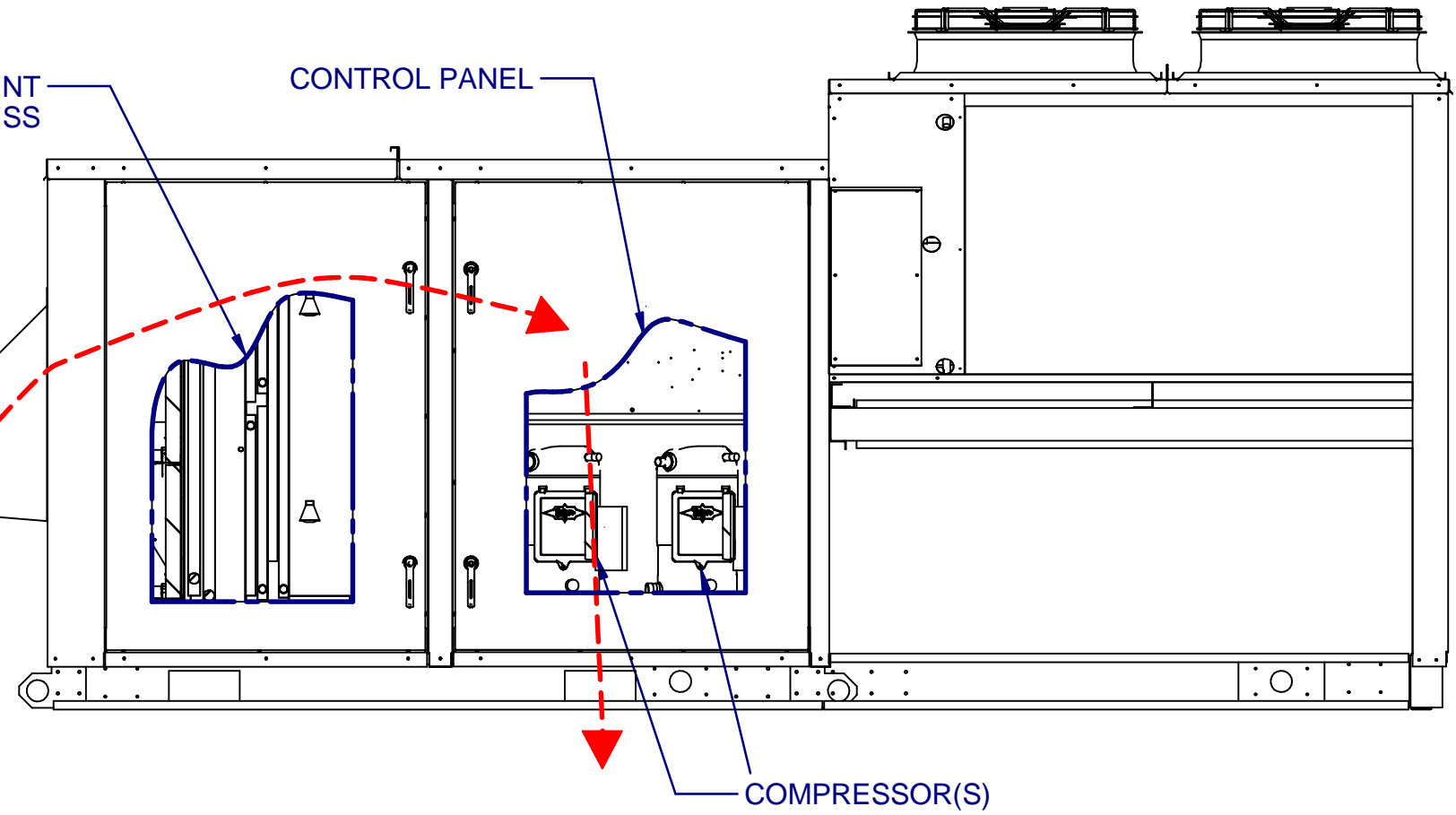
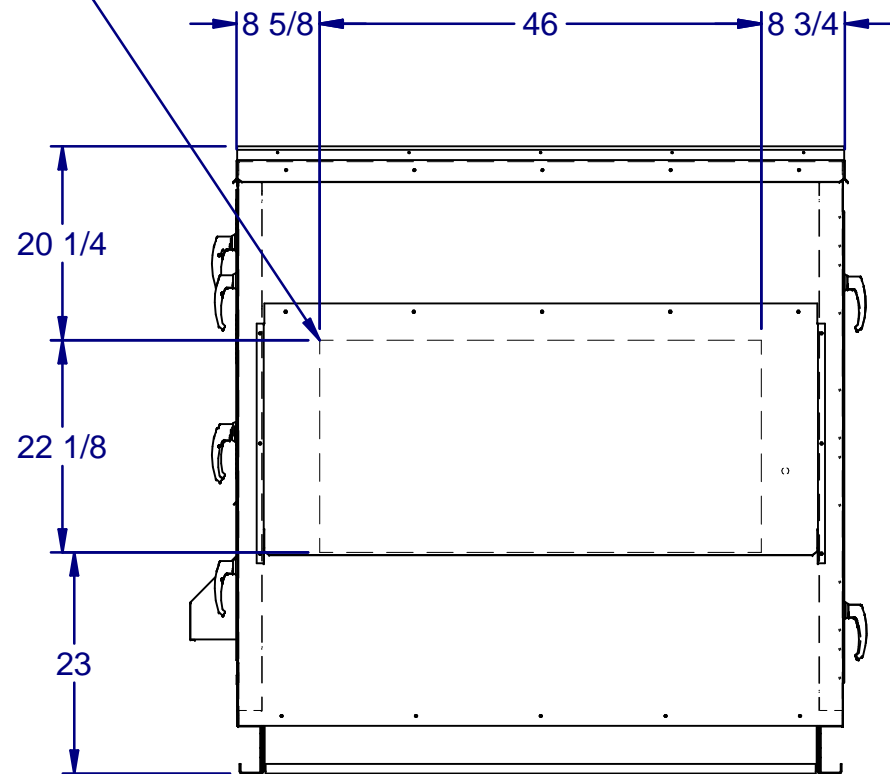
COIL COMPARTMENT & FILTER ACCESS

CONTROL PANEL

OA HOOD

COMPRESSOR(S)

OUTSIDE AIR INTAKE



TOP PLAN VIEW  
CONDENSING SIDE  
NOT SHOWN

DRAWING NUMBER: 05041-2534-4	12/21/2015
TITLE: PR C4 CAB NO EXH	1 OF 1