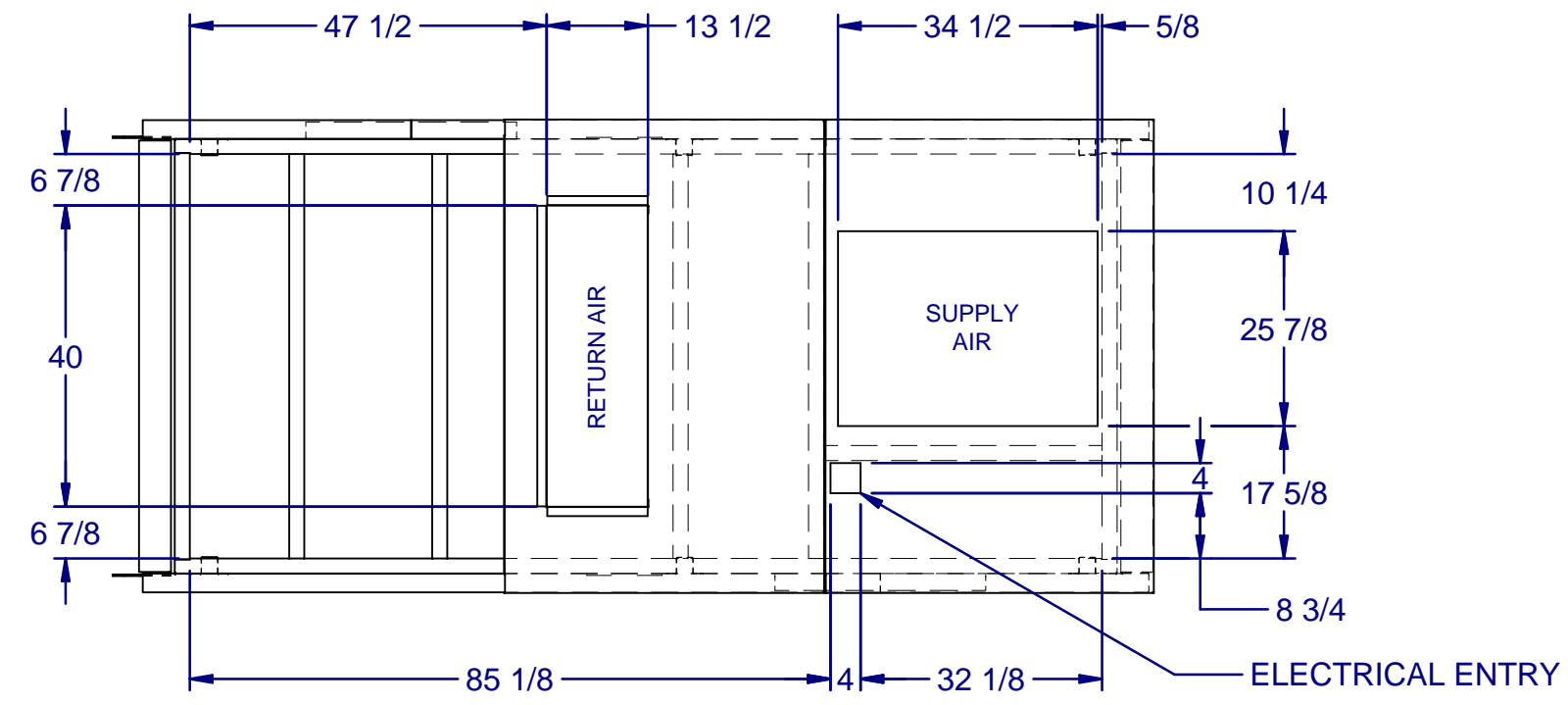
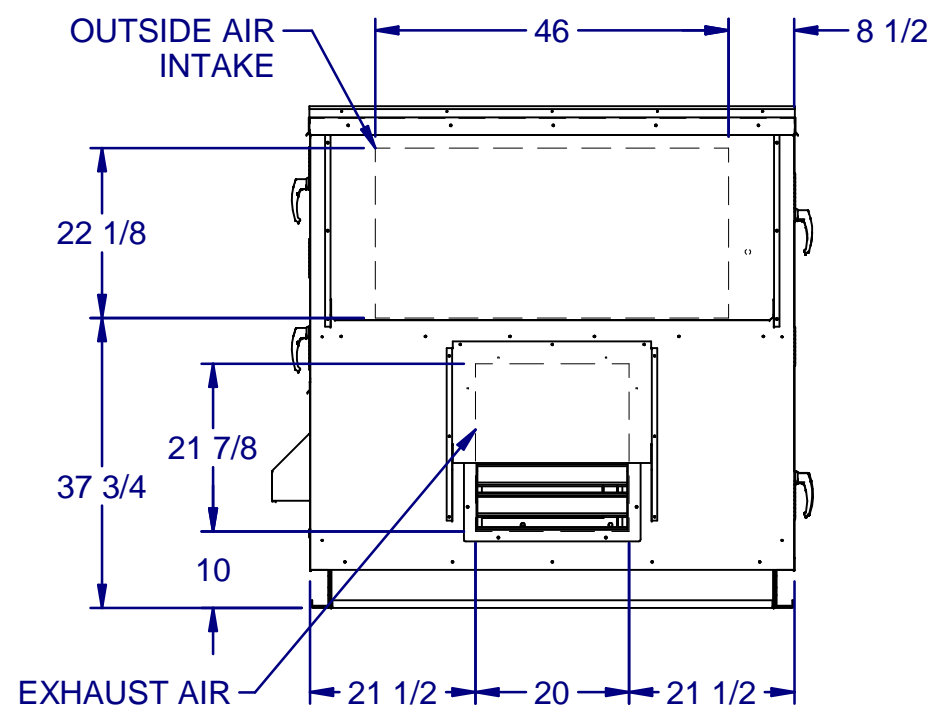
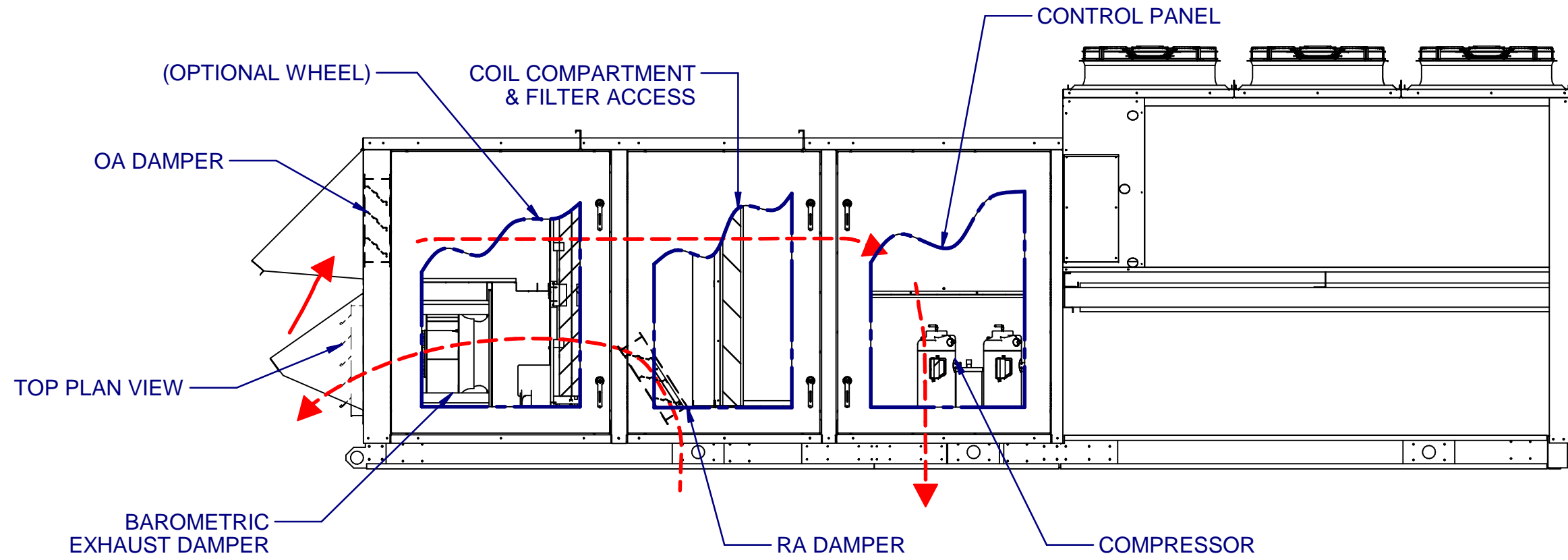
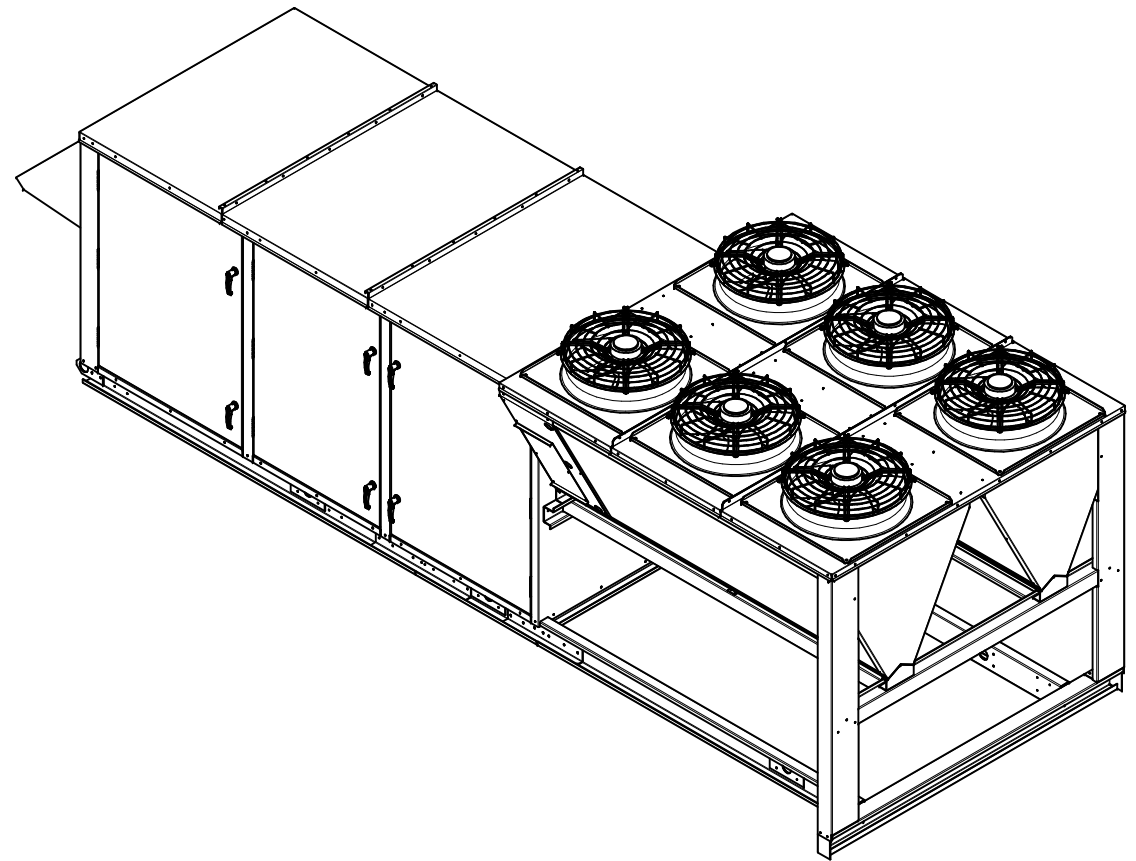
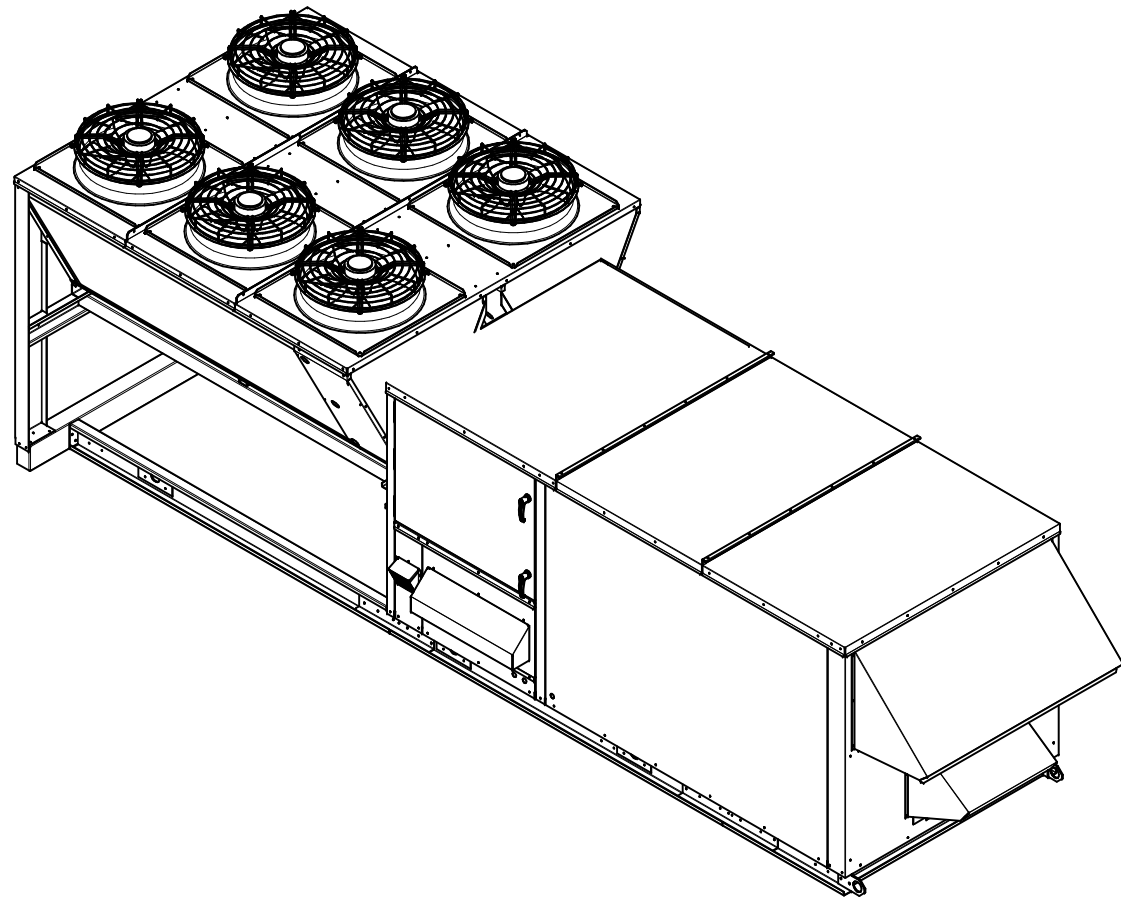


DRAWING NUMBER: 05041-2535	12/21/2015
TITLE: PR C6 CAB	1 OF 3



TOP PLAN VIEW
 CONDENSING SIDE
 NOT SHOWN

DRAWING NUMBER: 05041-2535	12/21/2015
TITLE: PR C6 CAB	2 OF 3



DRAWING NUMBER: 05041-2535	12/21/2015
TITLE: PR C6 CAB	3 OF 3