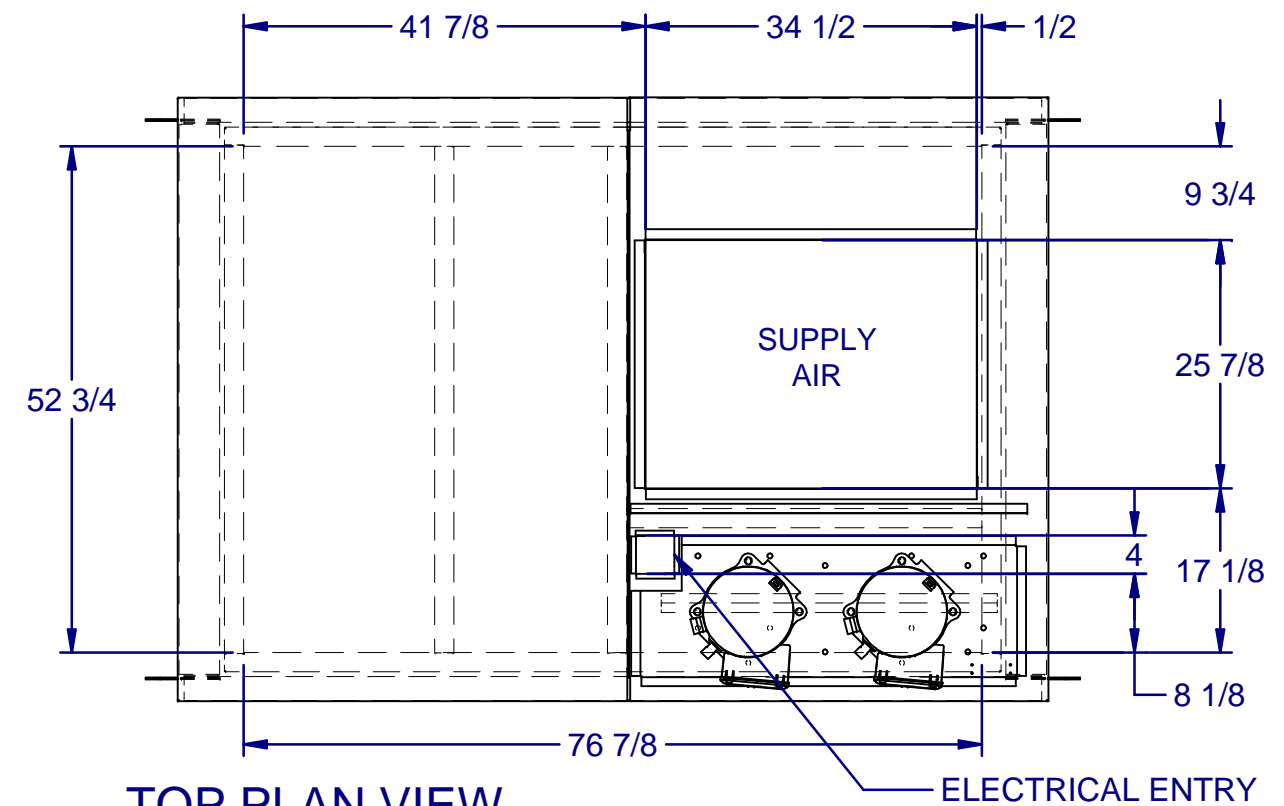
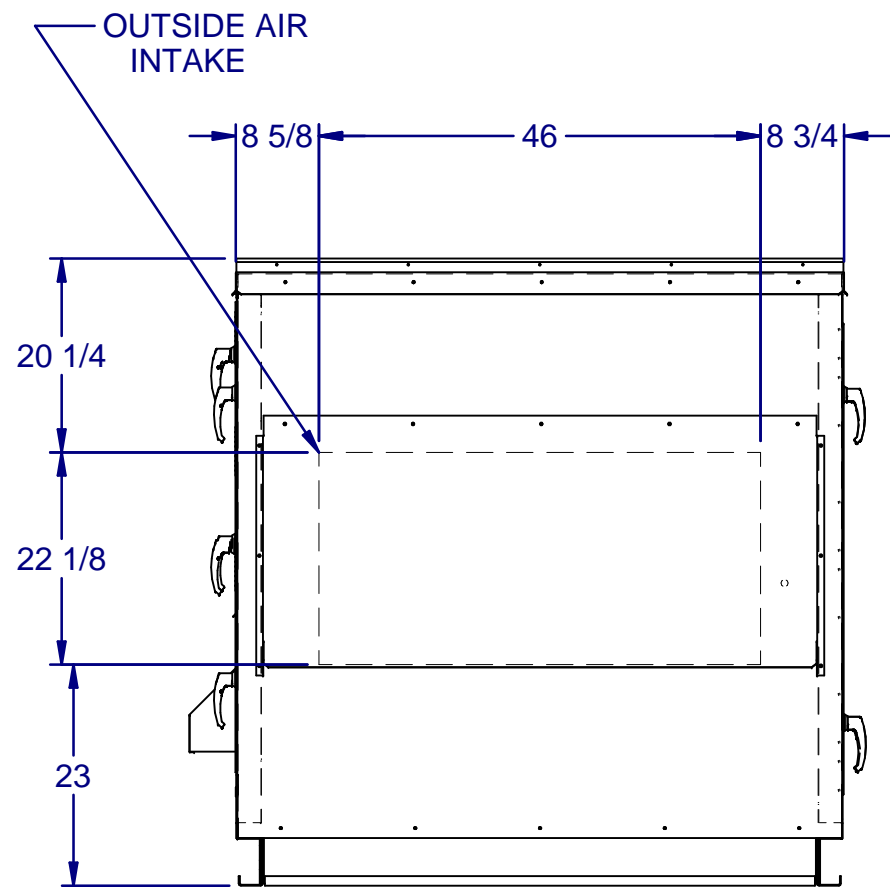
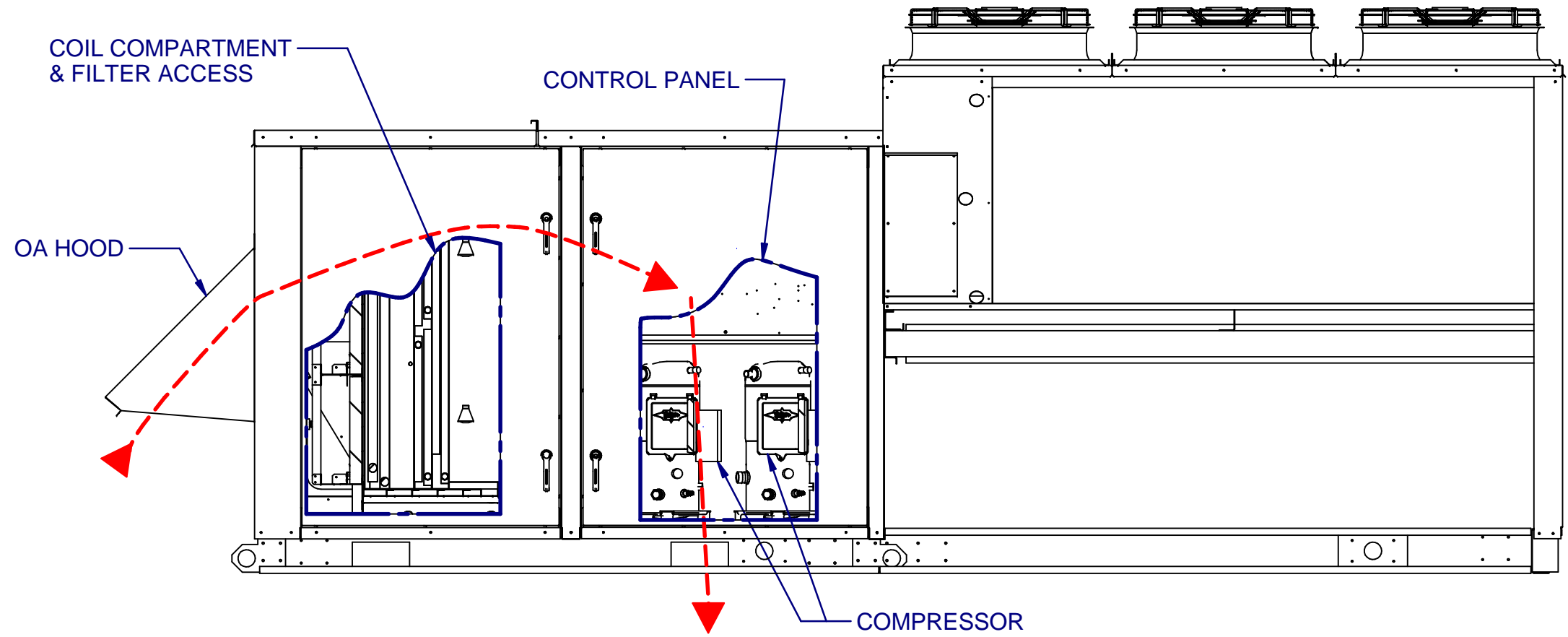


100% OUTSIDE AIR



TOP PLAN VIEW  
CONDENSING SIDE  
NOT SHOWN

DRAWING NUMBER: 05041-2536-4	12/21/2015
TITLE: PR C6 CAB NO EXH	1 OF 1