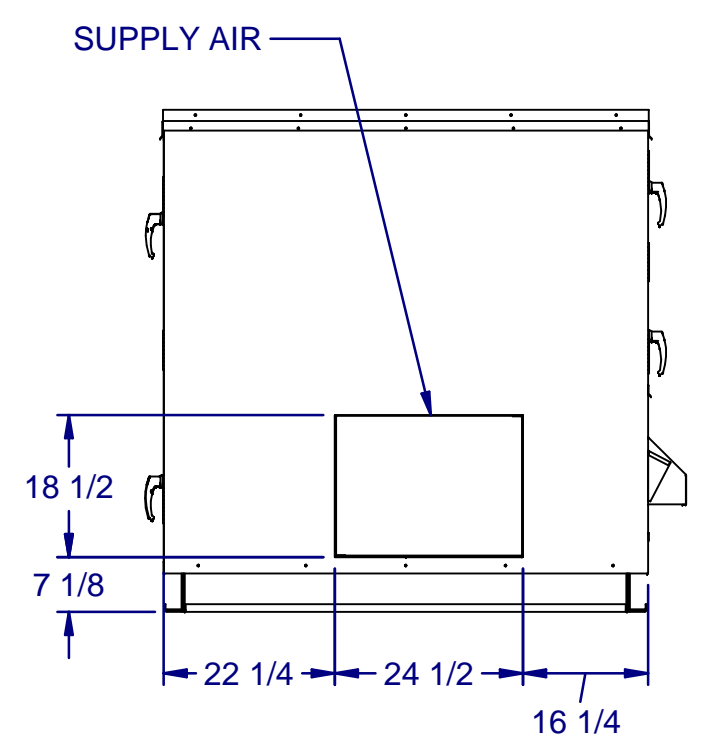
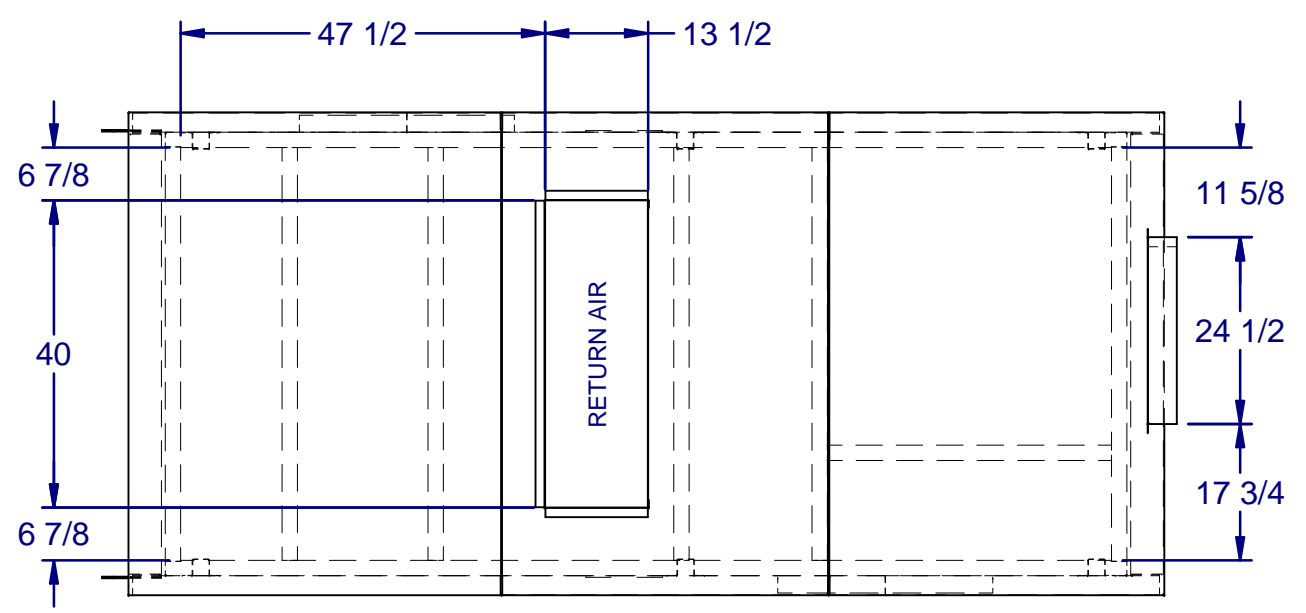
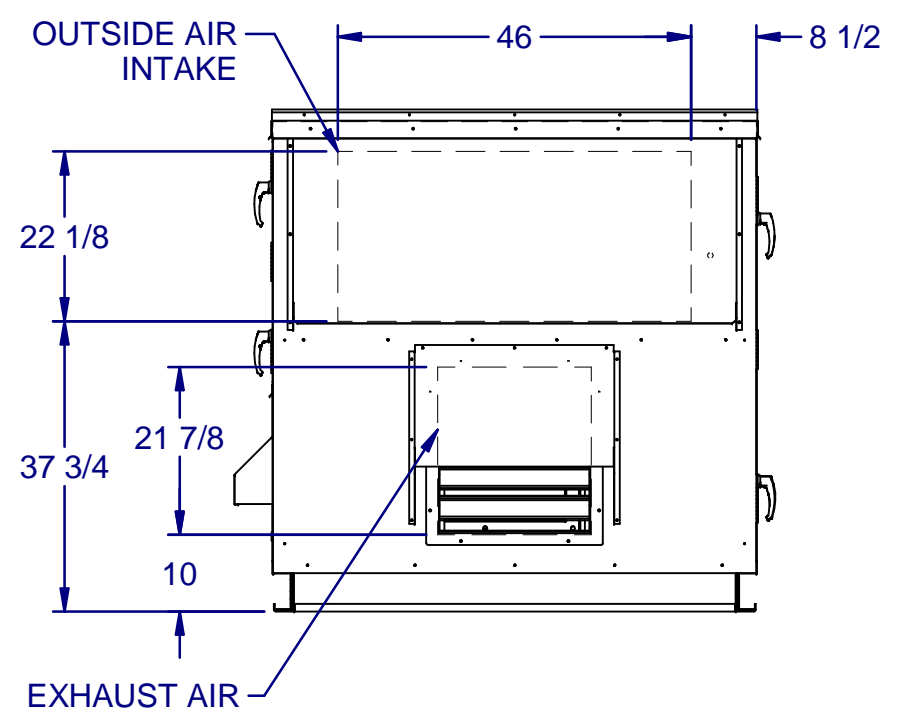
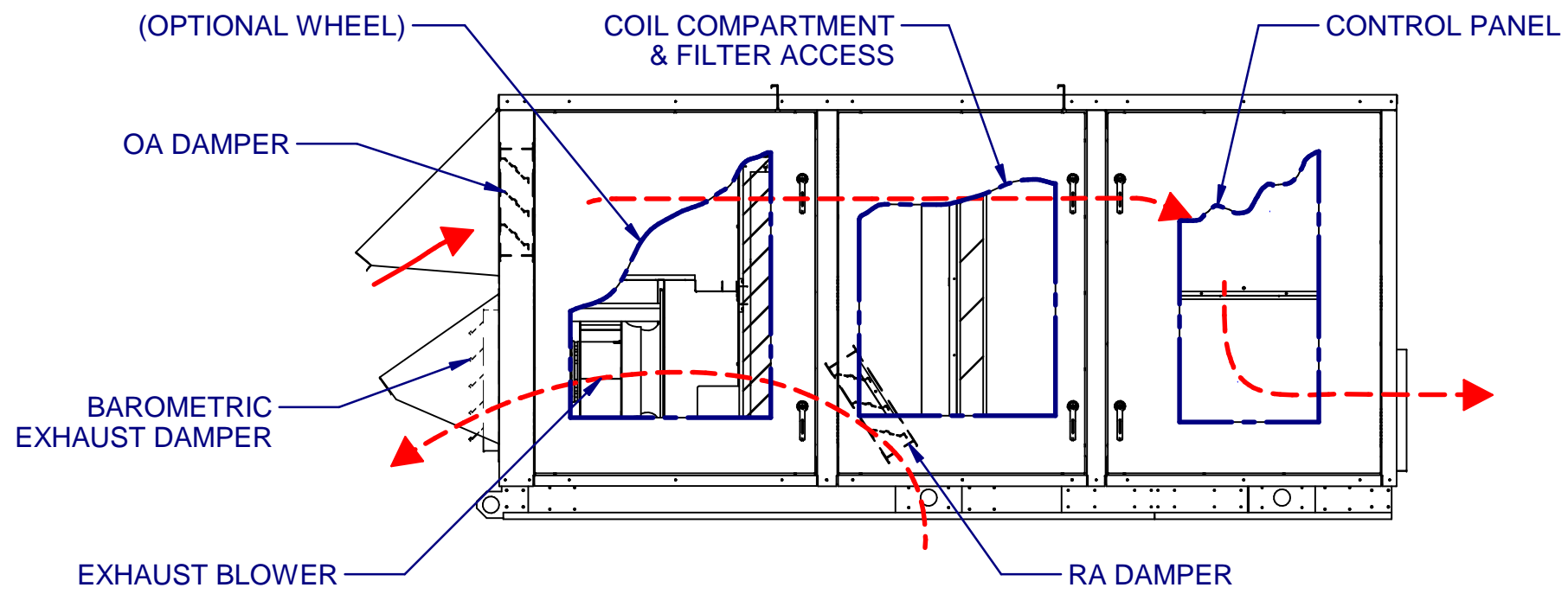


DRAWING NUMBER: 05041-2537	12/21/2015
TITLE: PR F C CAB HOR	1 OF 2



TOP PLAN VIEW

DRAWING NUMBER: 05041-2537	12/21/2015
TITLE: PR F C CAB HOR	2 OF 2