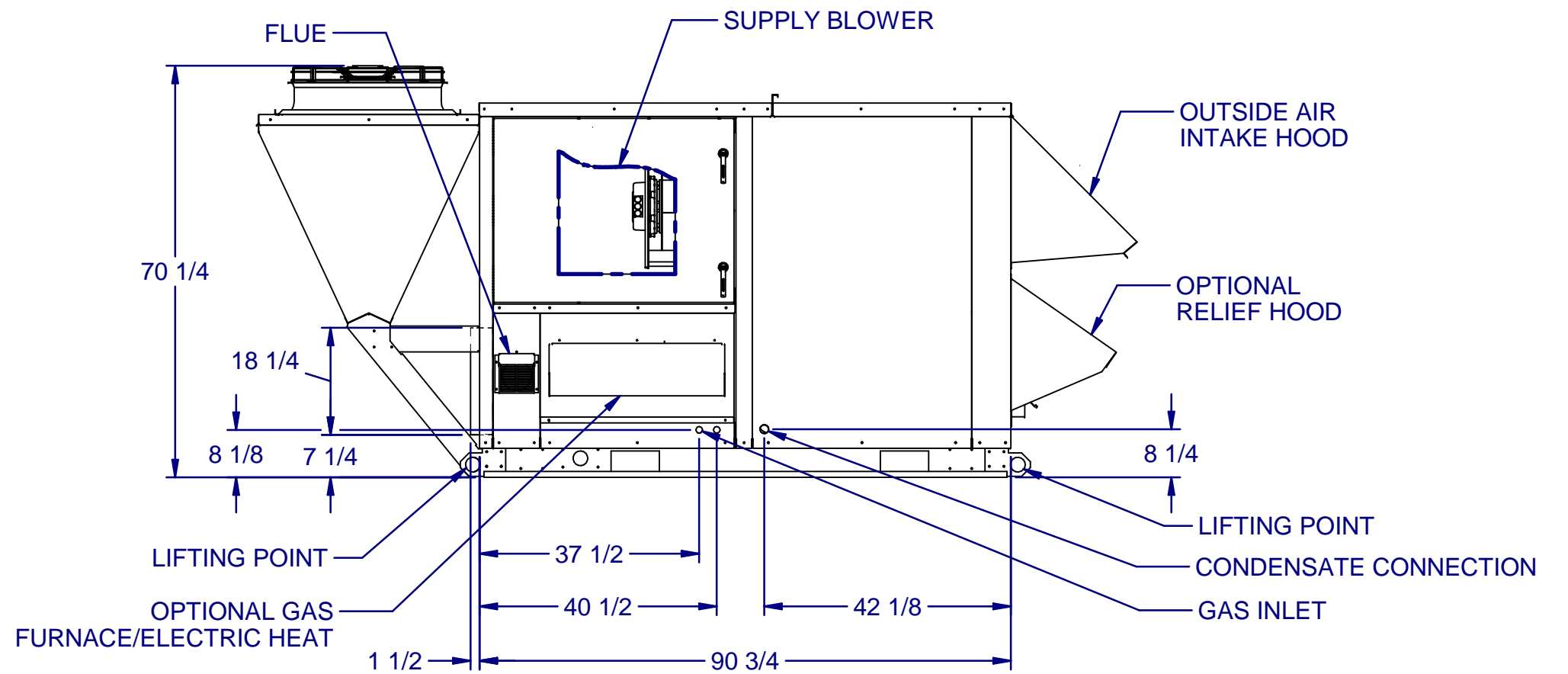
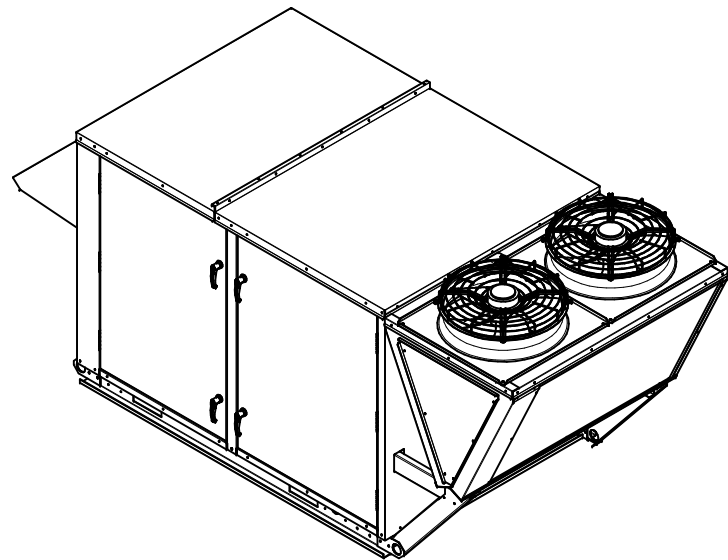
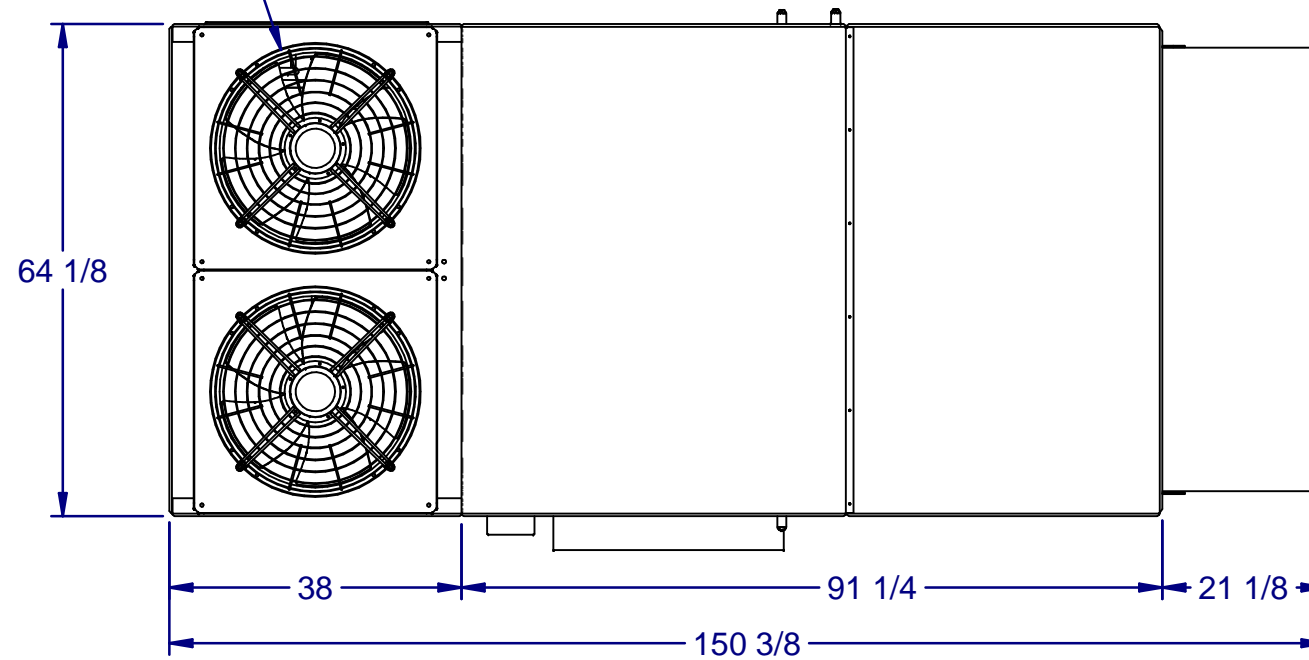


CONDENSER FANS



DRAWING NUMBER: 05041-2542-1	12/21/2015
TITLE: PR C2 CAB NO EXH HOR	1 OF 1