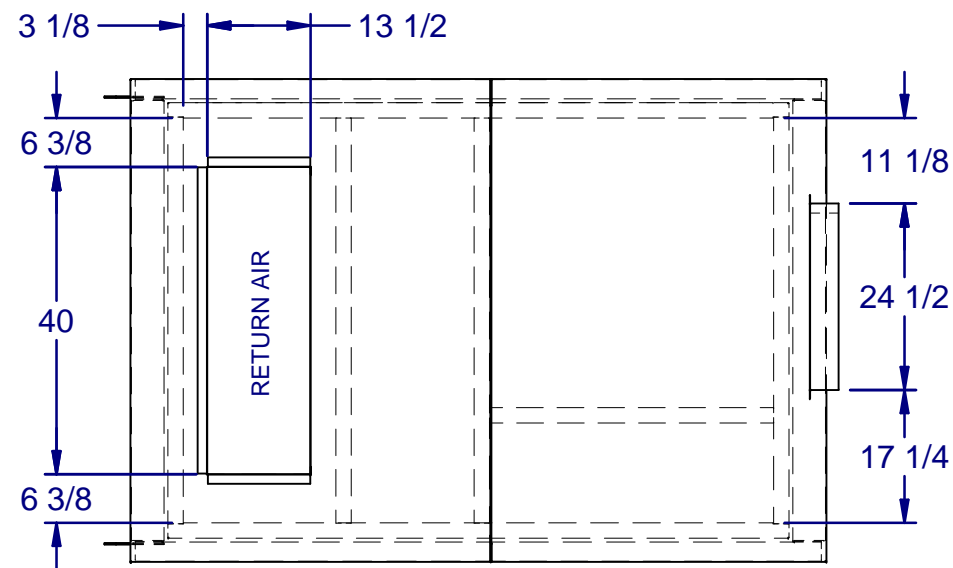
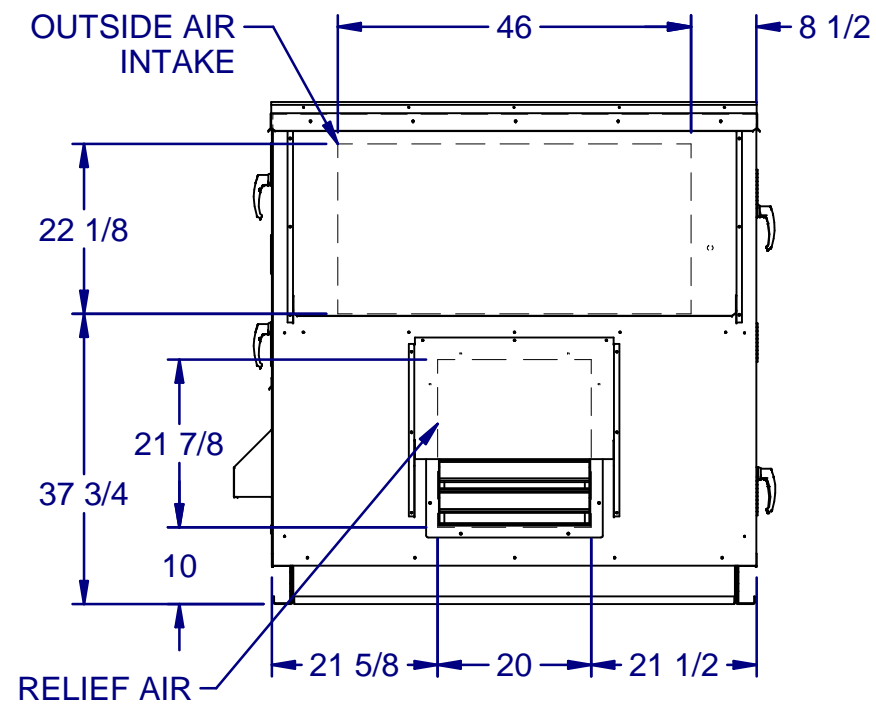
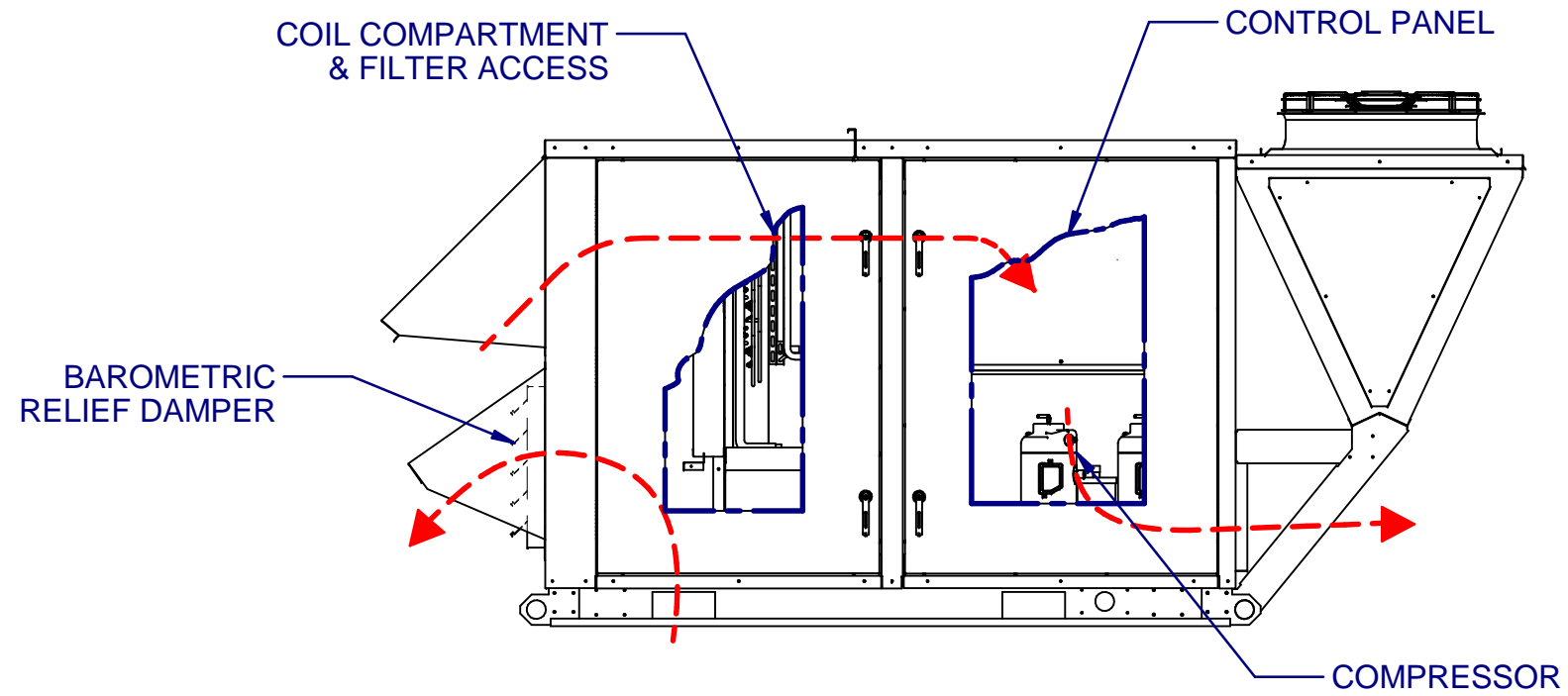
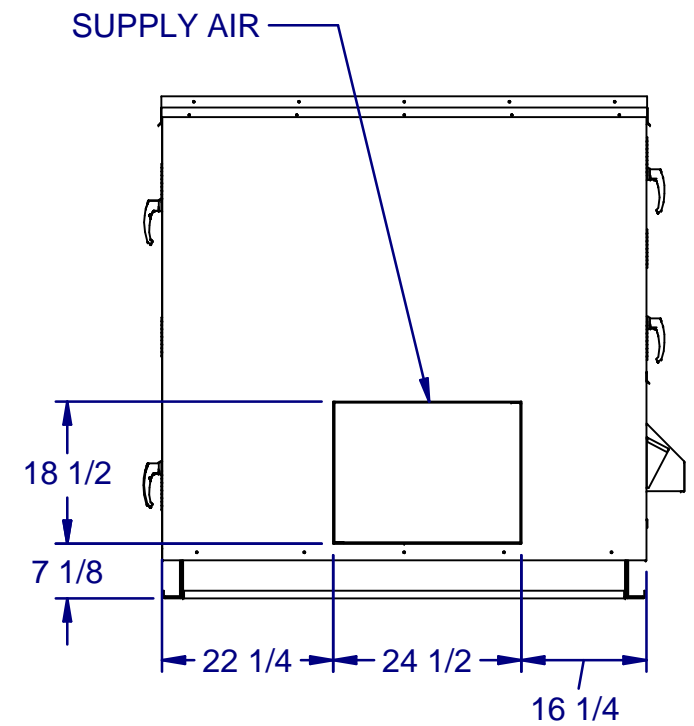


# 100% OUTSIDE AIR WITH BAROMETRIC RELIEF



TOP PLAN VIEW  
CONDENSING SIDE  
NOT SHOWN



|                              |            |
|------------------------------|------------|
| DRAWING NUMBER: 05041-2542-2 | 12/21/2015 |
| TITLE: PR C2 CAB NO EXH HOR  | 1 OF 1     |