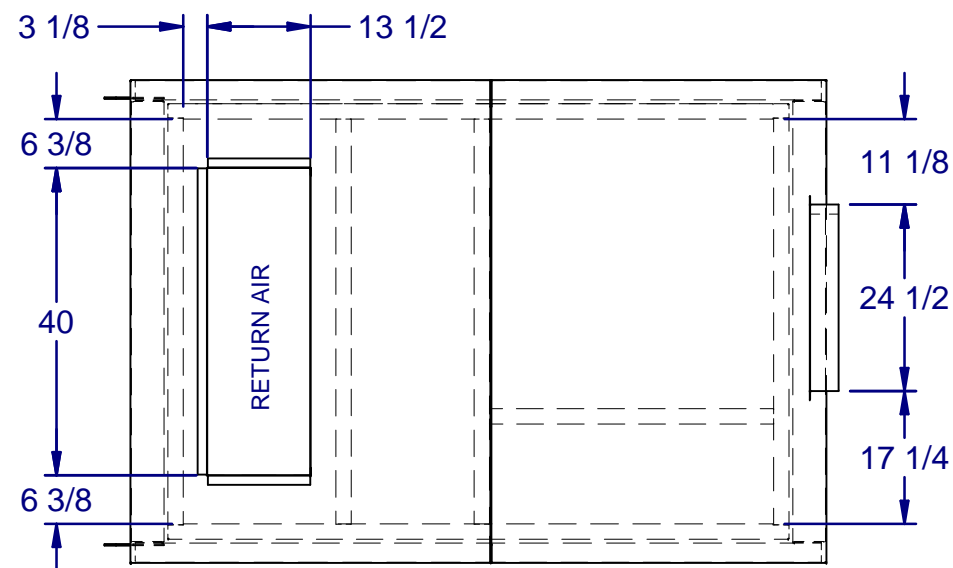
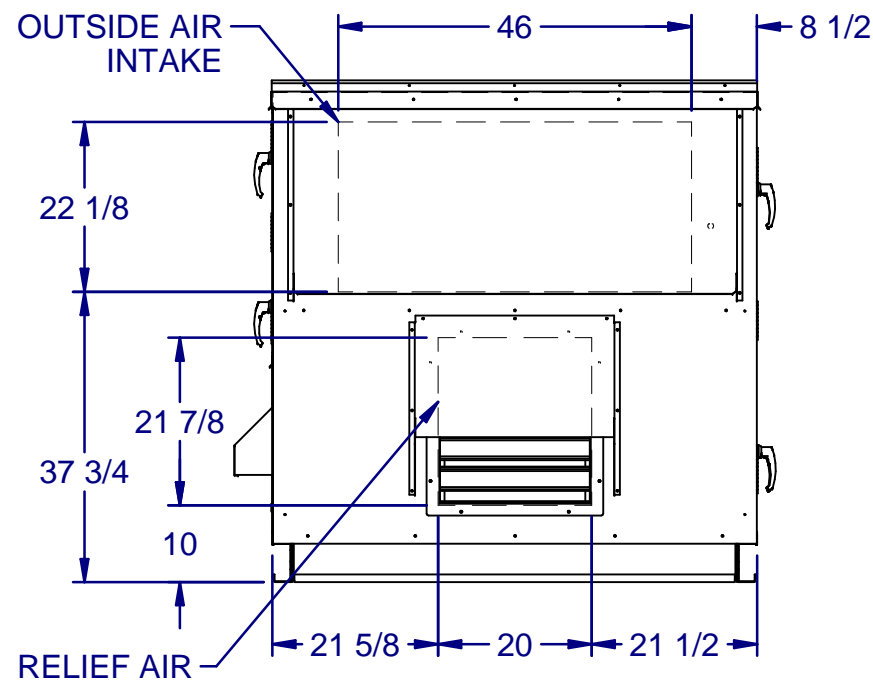
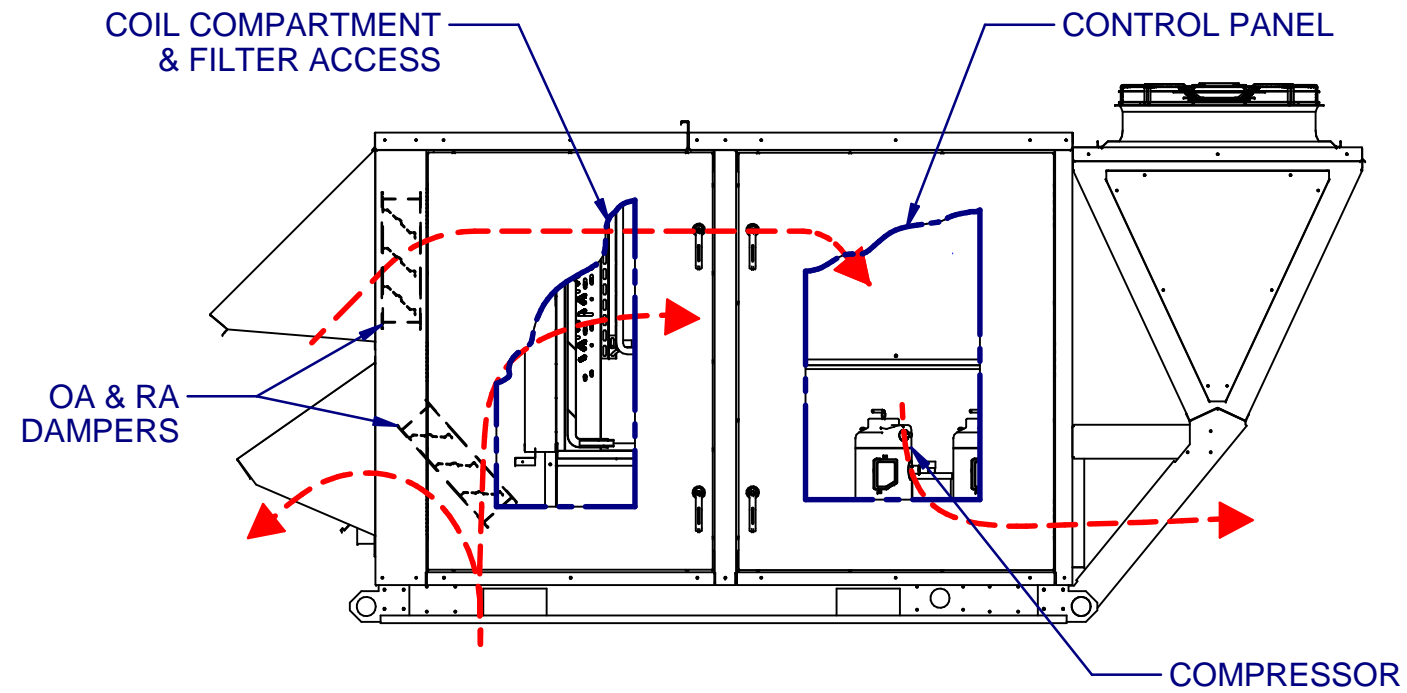
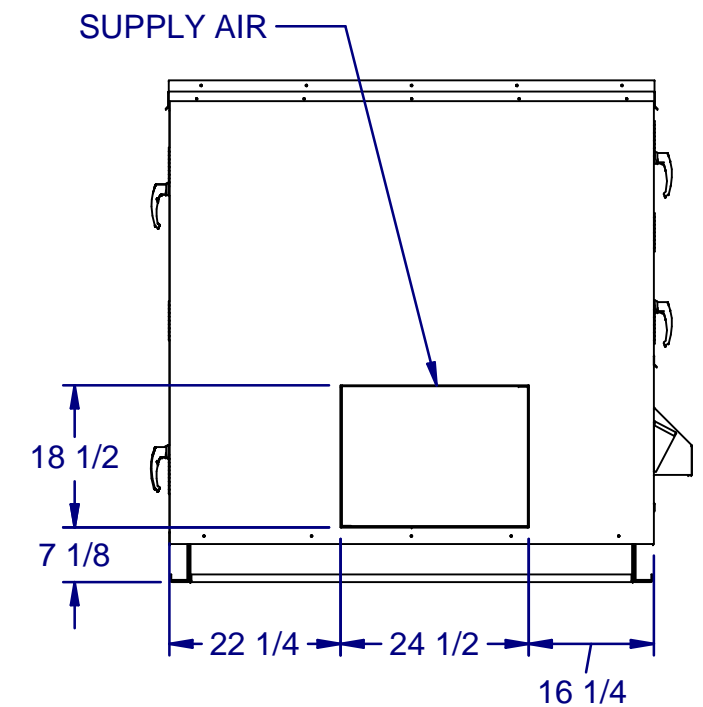


100% OUTSIDE AIR WITH RECIRCULATING OPTION OR MIXED AIR



TOP PLAN VIEW
CONDENSING SIDE
NOT SHOWN



DRAWING NUMBER: 05041-2542-3	12/21/2015
TITLE: PR C2 CAB NO EXH HOR	1 OF 1