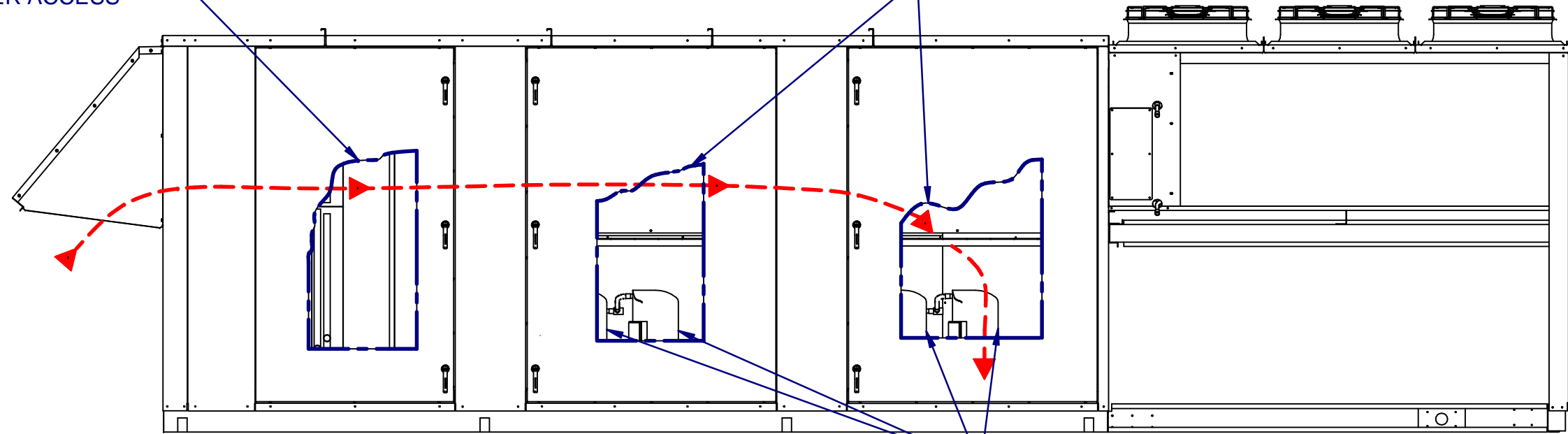


100% OUTSIDE AIR

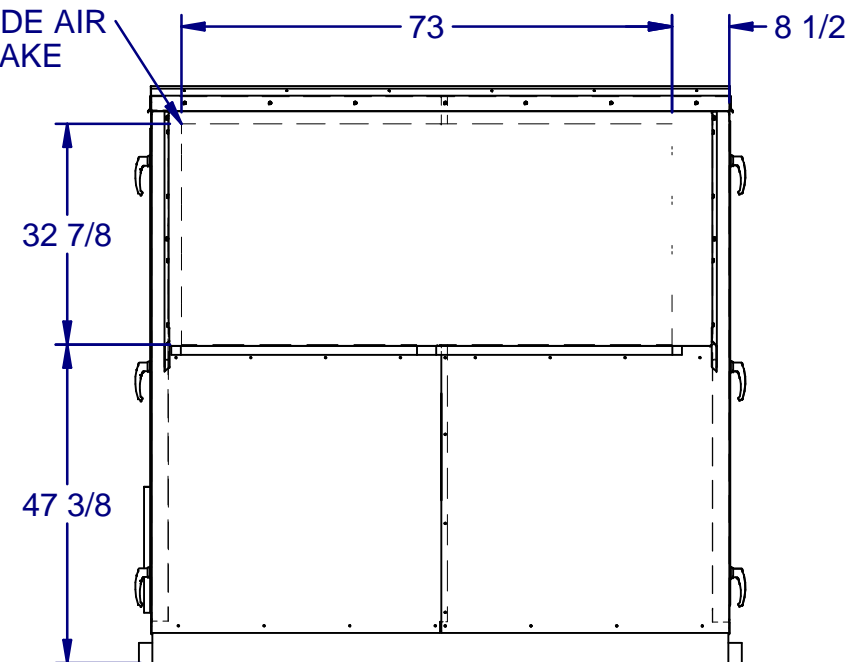
COIL COMPARTMENT & FILTER ACCESS

CONTROL PANEL

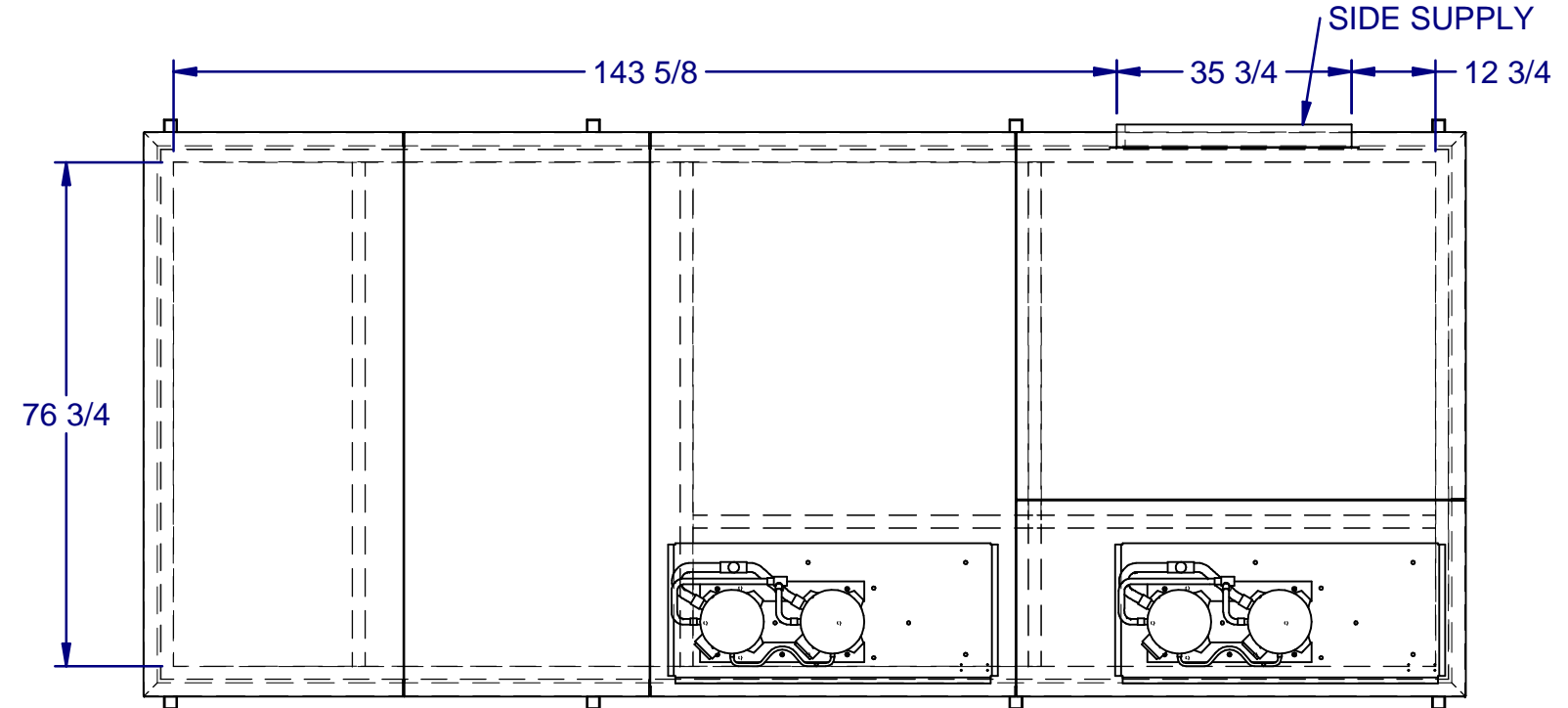


COMPRESSOR(S)

OUTSIDE AIR INTAKE



SIDE SUPPLY



TOP PLAN VIEW
CONDENSING SIDE
NOT SHOWN

DRAWING NUMBER: 07951-4852-2	12/4/2020
TITLE: PR D6XL CAB SS NO EXH	1 OF 1