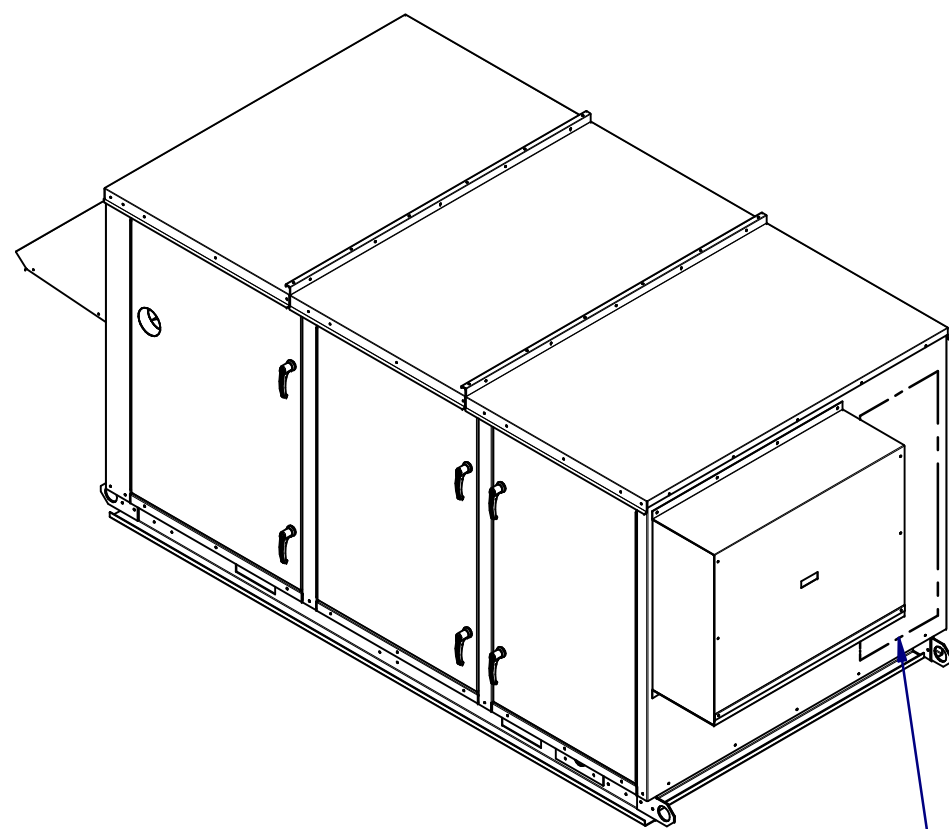
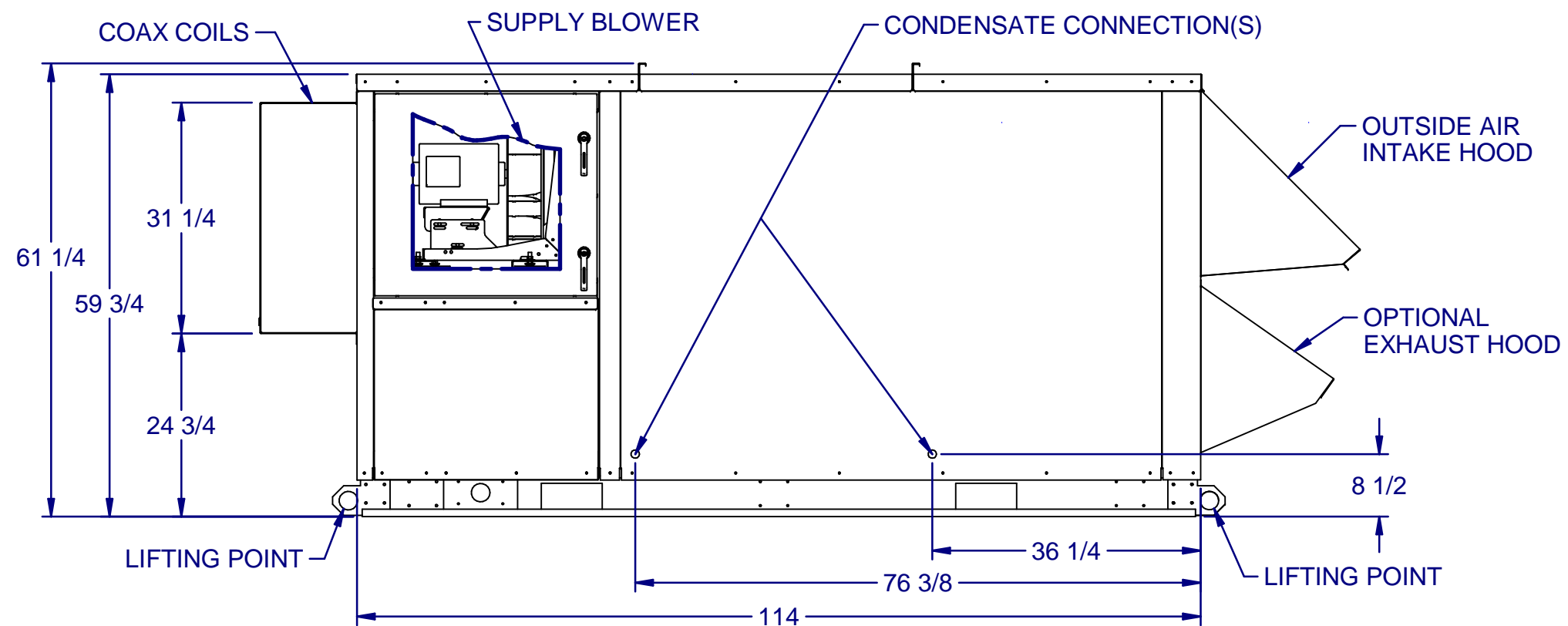


**TOP VIEW**



OPTIONAL DISCONNECT LOCATION

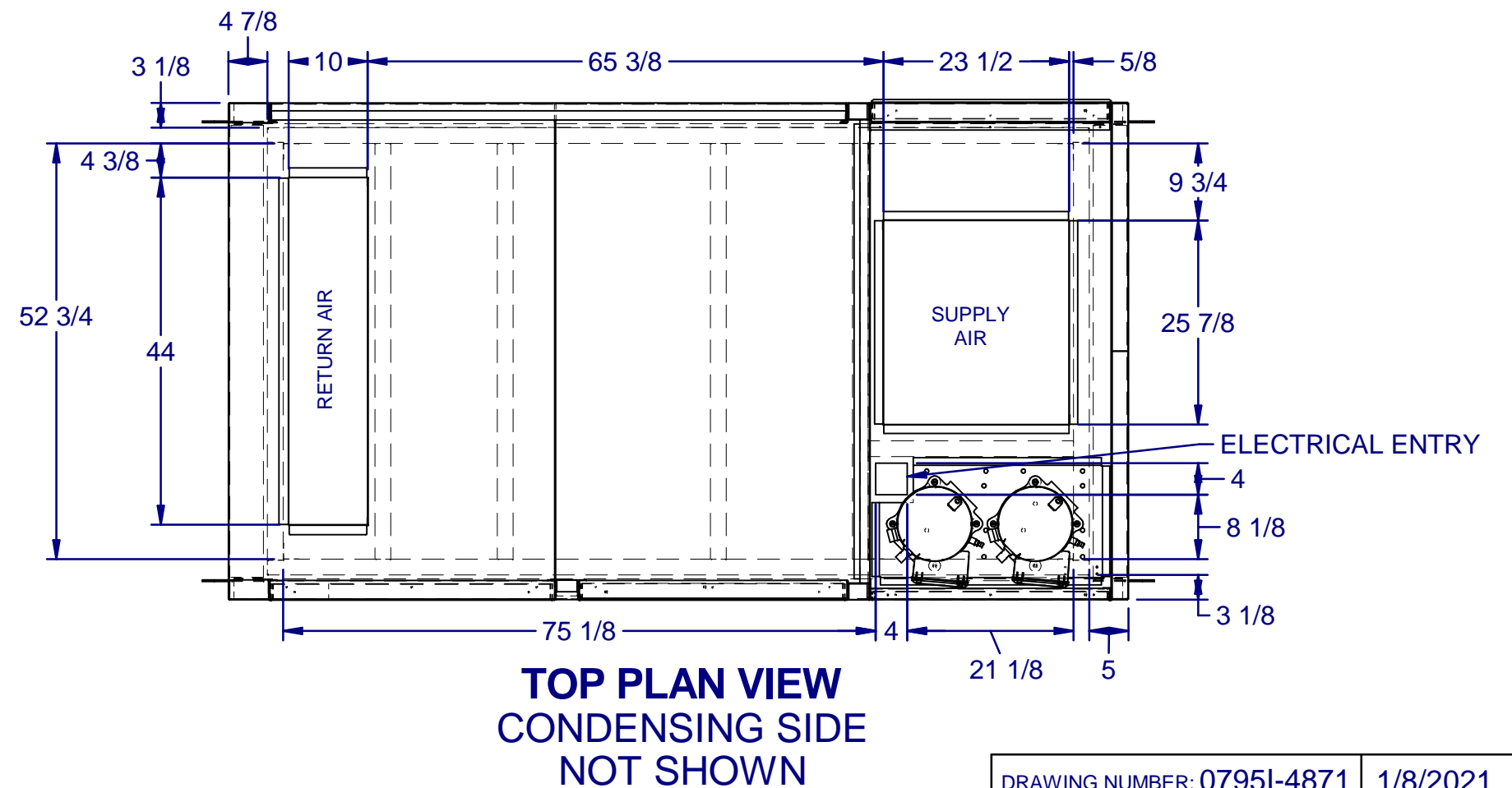
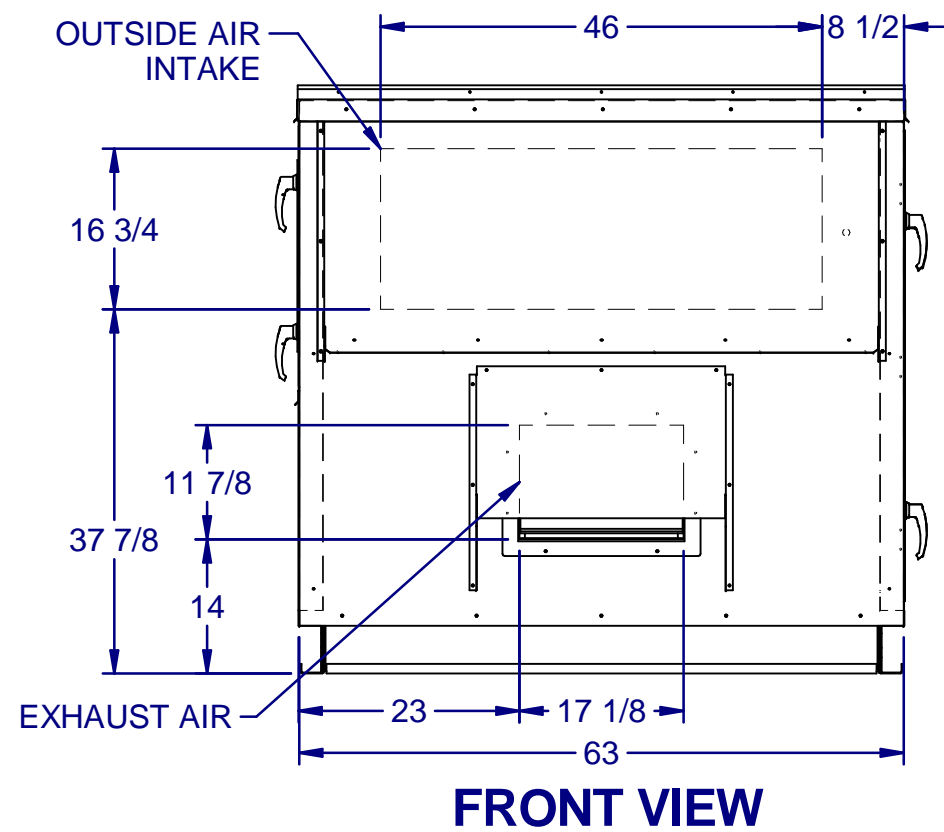
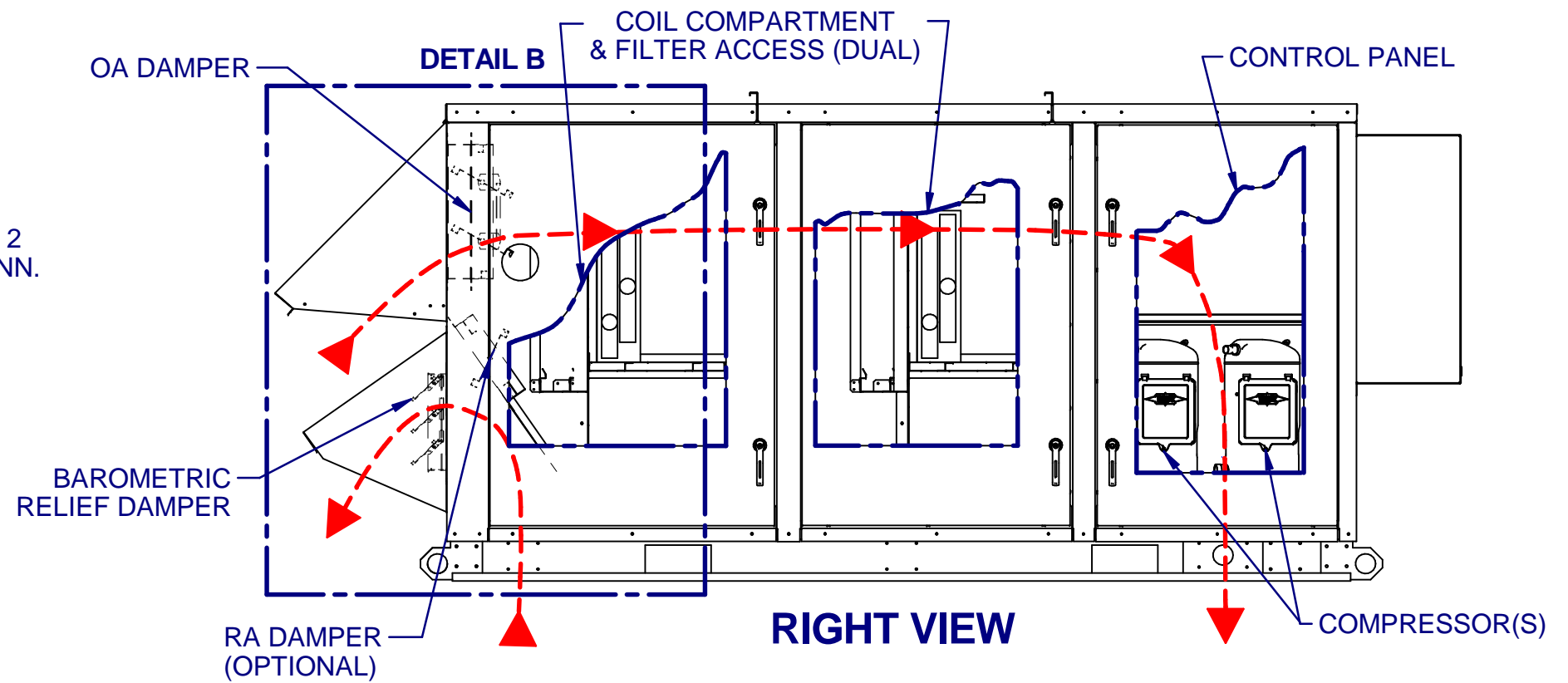
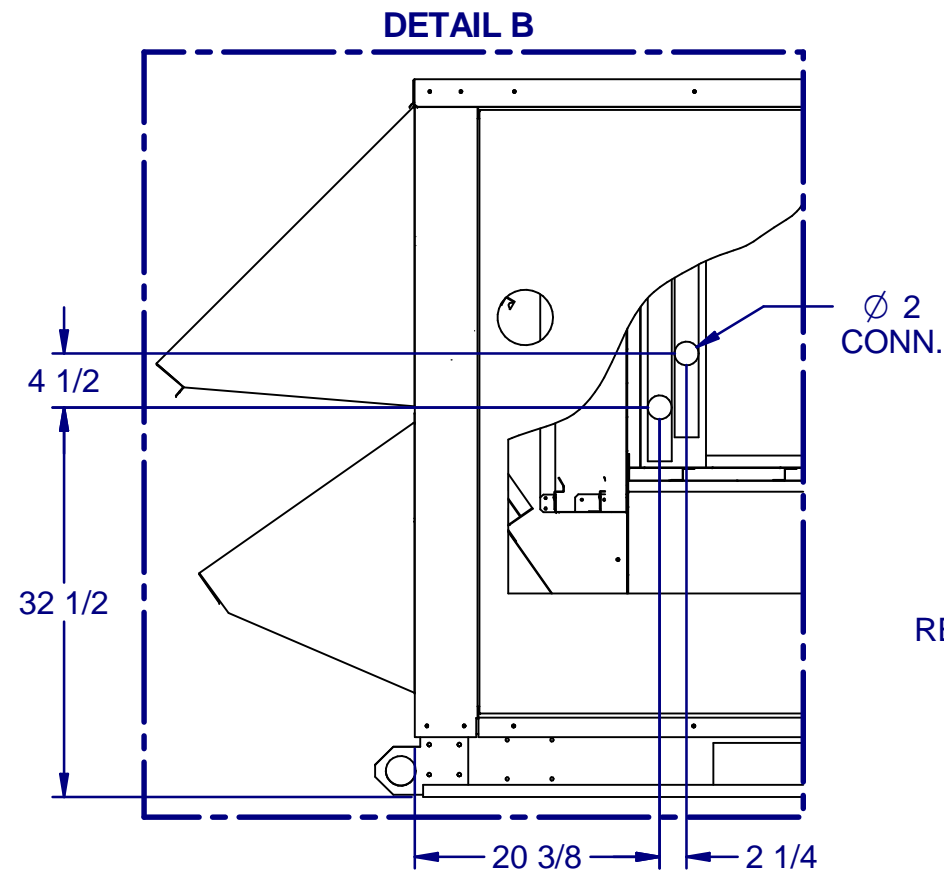


**LEFT VIEW**

COND. CONN.	GAS COND. CONN.	GAS INLET CONN.	CWC CONN.	HWC CONN.
3/4" $\varnothing$ SLIP CONN.	1/2" $\varnothing$ FPT	75-200 MBH - 1/2"-3/4" $\varnothing$ NPT	1 3/8"-1 5/8" $\varnothing$	1 5/8" $\varnothing$

DRAWING NUMBER: 07951-4871 1/8/2021

TITLE: PR WG B DUAL EVAP NO EXH CAB 1 OF 2



DRAWING NUMBER: 07951-4871 1/8/2021

TITLE: PR WG B DUAL EVAP NO EXH CAB 2 OF 2