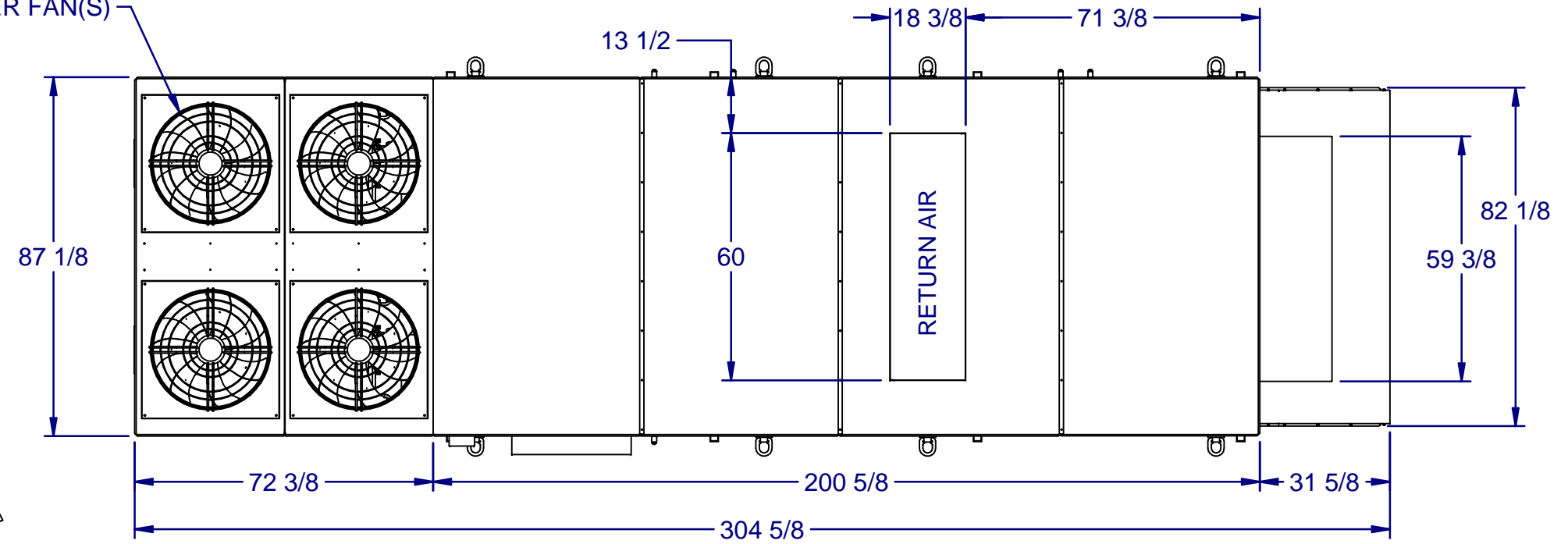
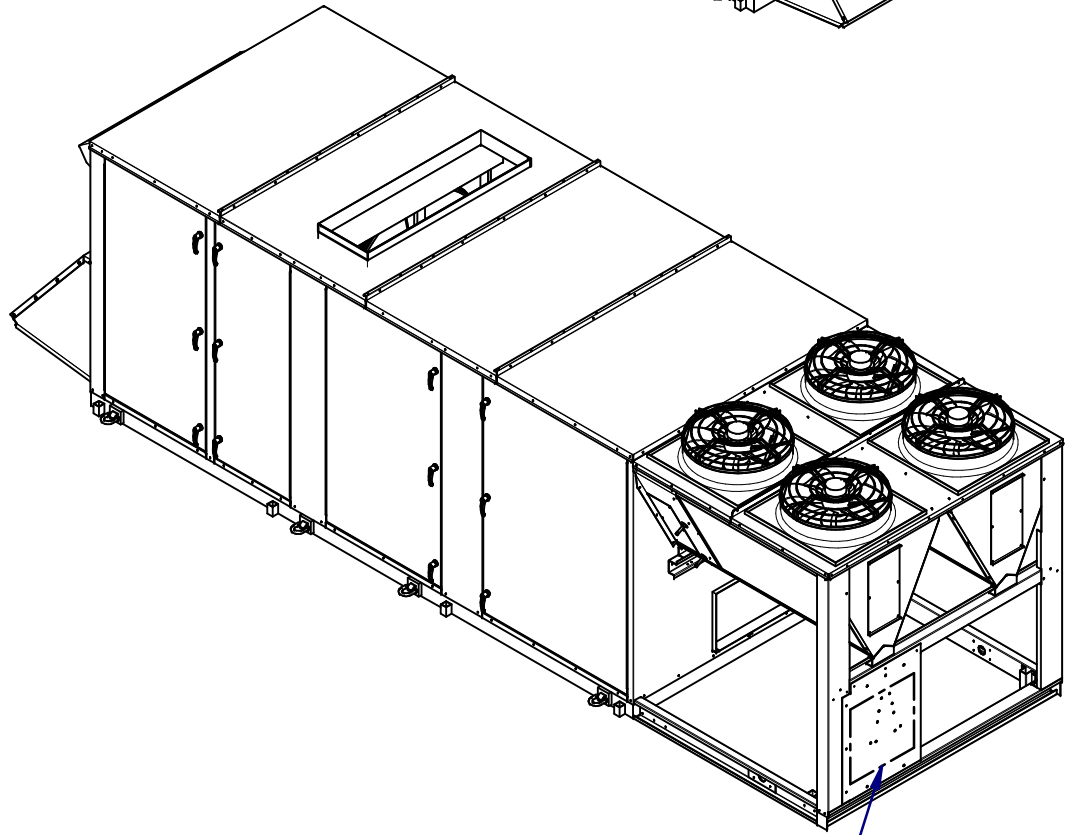


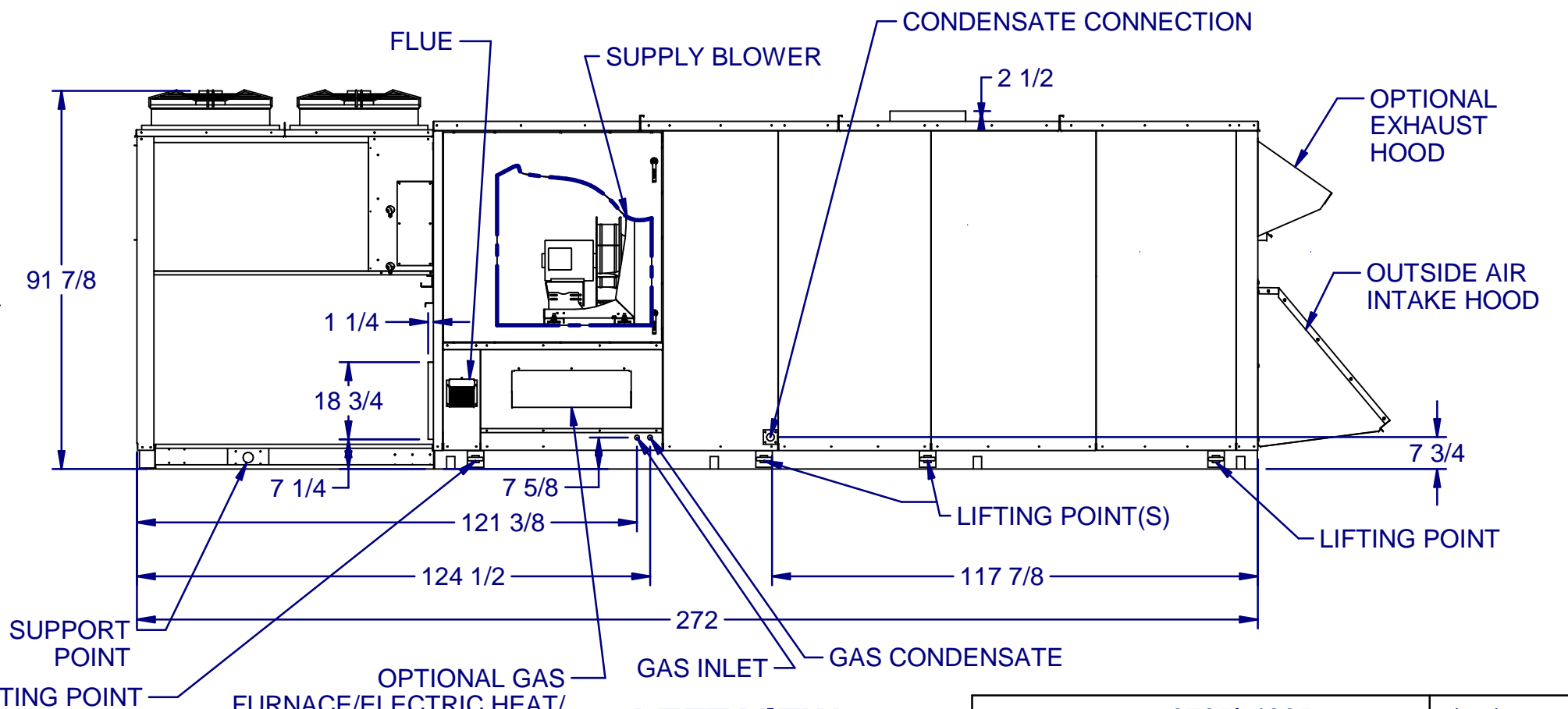
CONDENSER FAN(S)



TOP VIEW



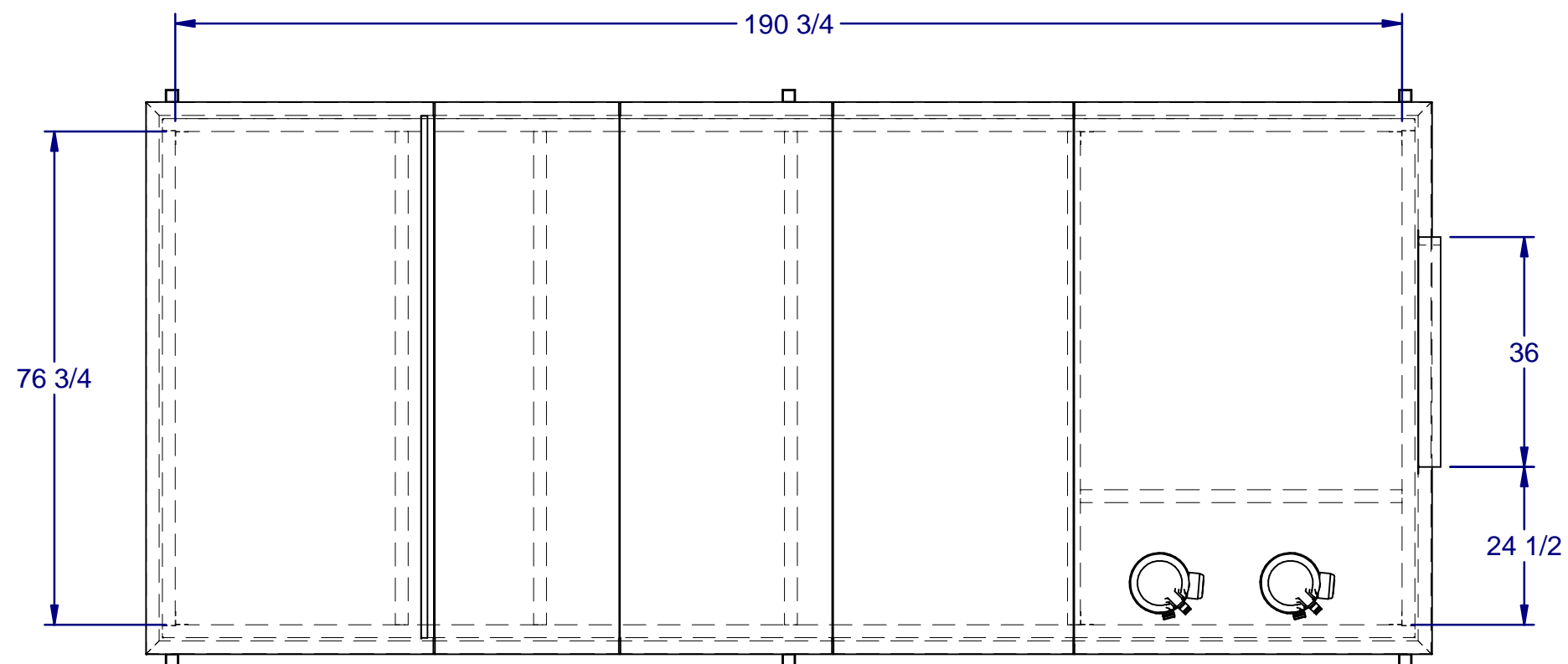
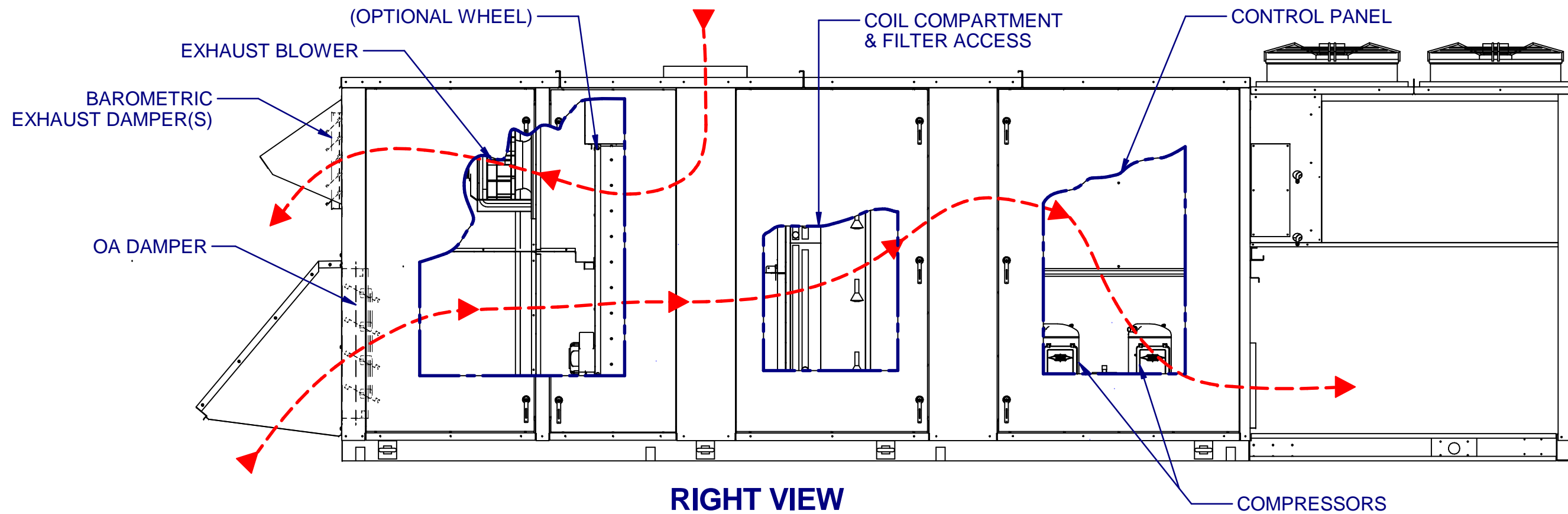
OPTIONAL DISCONNECT LOCATION



LEFT VIEW

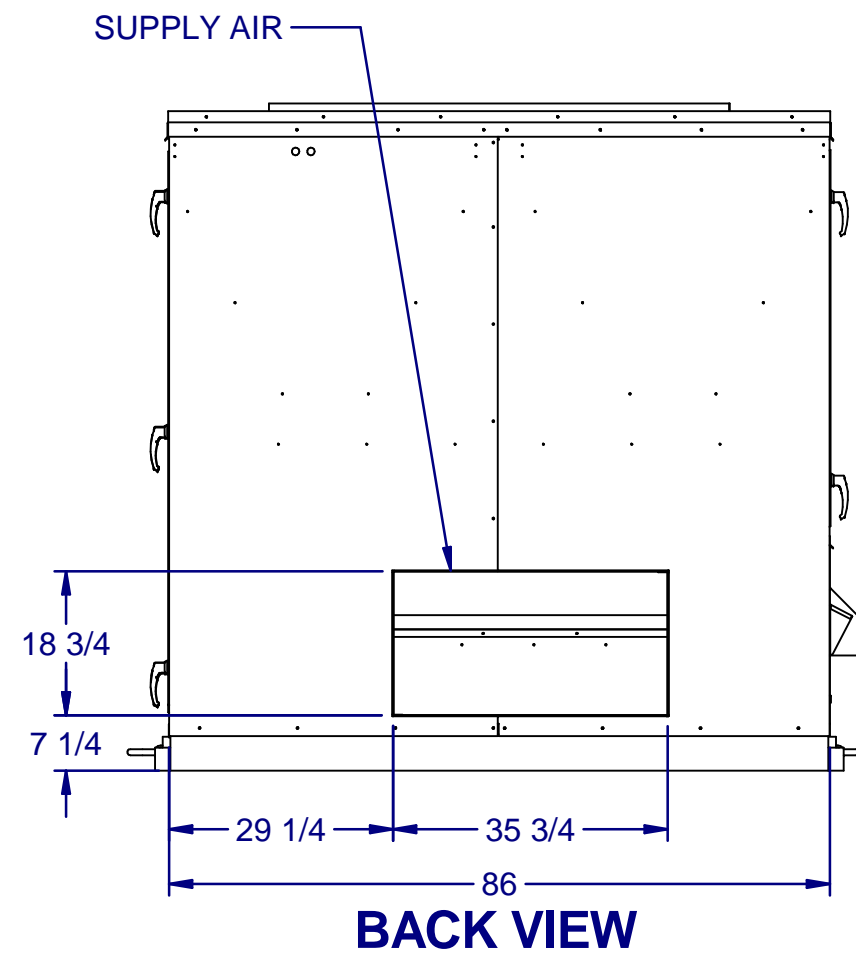
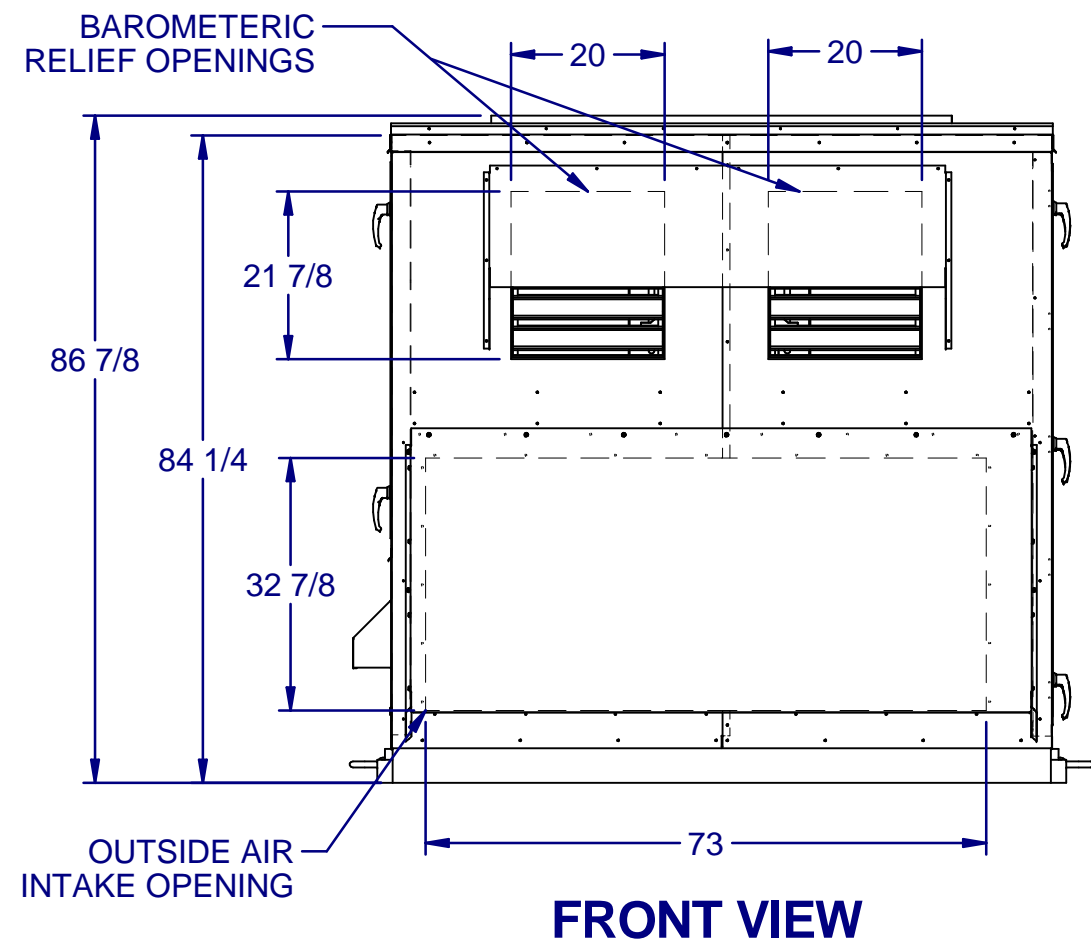
COND. CONN.	GAS COND. CONN.	GAS INLET CONN.	CWC CONN.	HWC CONN.
1"Ø SLIP CONN.	1/2" Ø FPT	100-400MBH - 1/2"-3/4"Ø NPT	2 1/8"-2 5/8" Ø	3 1/8" Ø

DRAWING NUMBER: 07951-4905	1/21/2021
TITLE: PR D4 EXH CAB TR - HS	1 OF 3



TOP PLAN VIEW
CONDENSING SIDE
NOT SHOWN

DRAWING NUMBER: 0795I-4905	1/21/2021
TITLE: PR D4 EXH CAB TR - HS	2 OF 3



DRAWING NUMBER: 0795I-4905	1/21/2021
TITLE: PR D4 EXH CAB TR - HS	3 OF 3