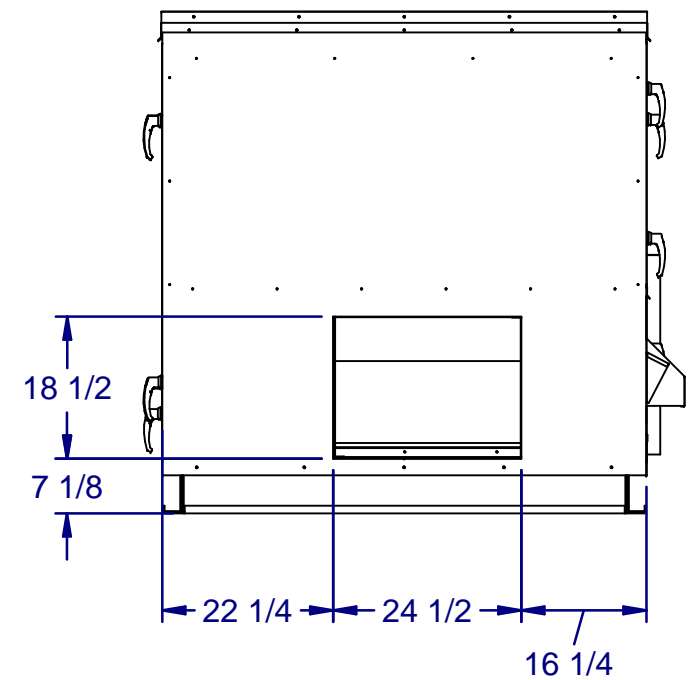
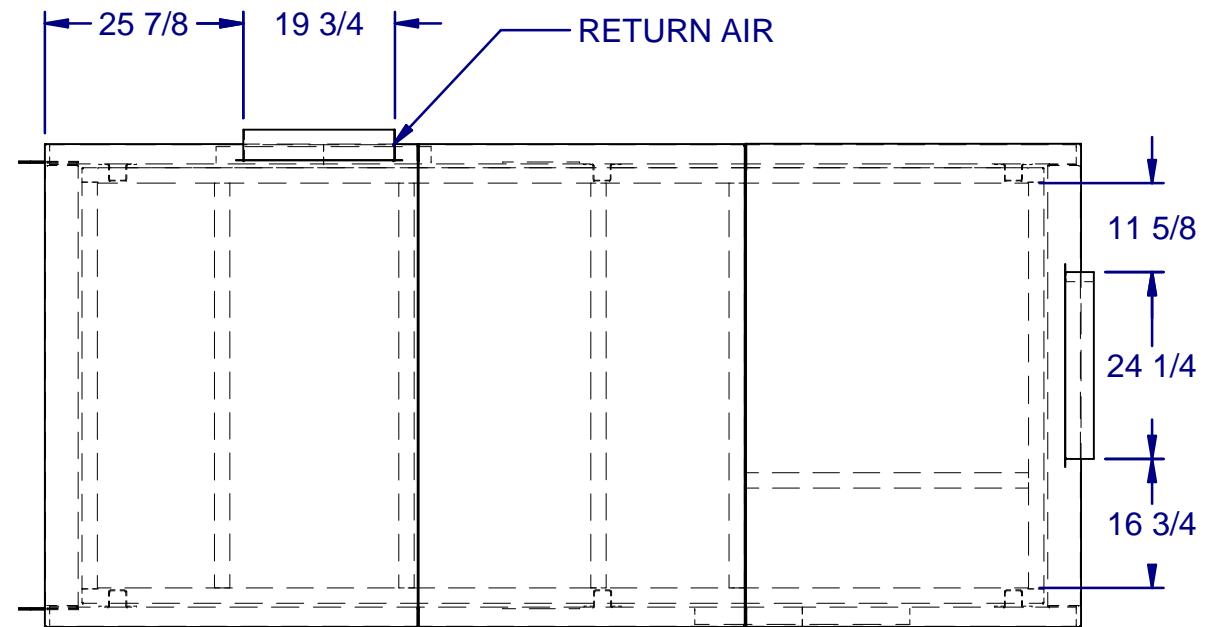
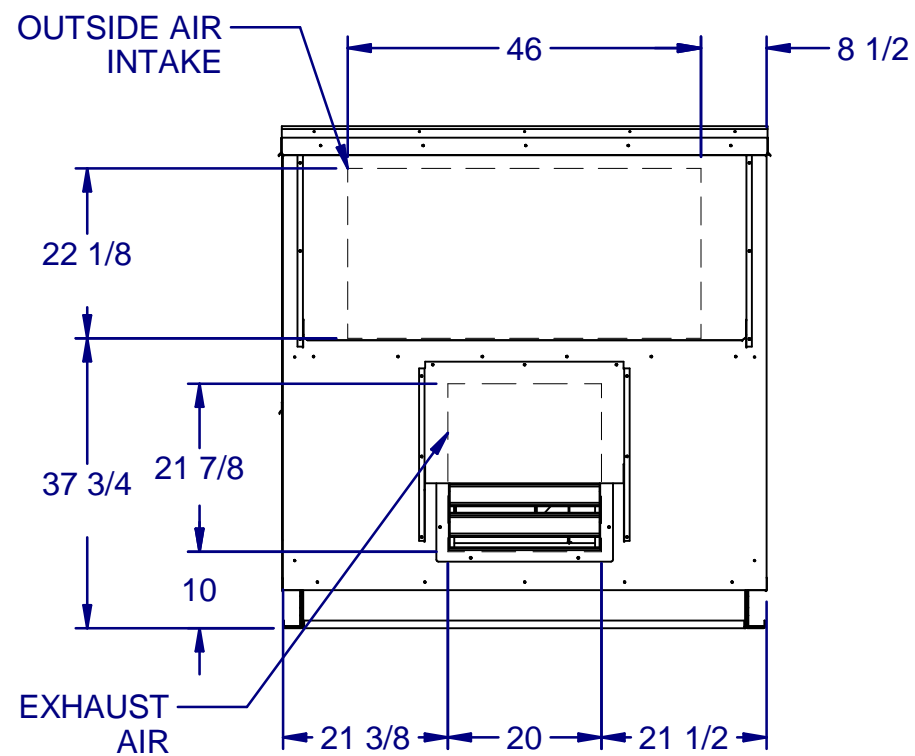
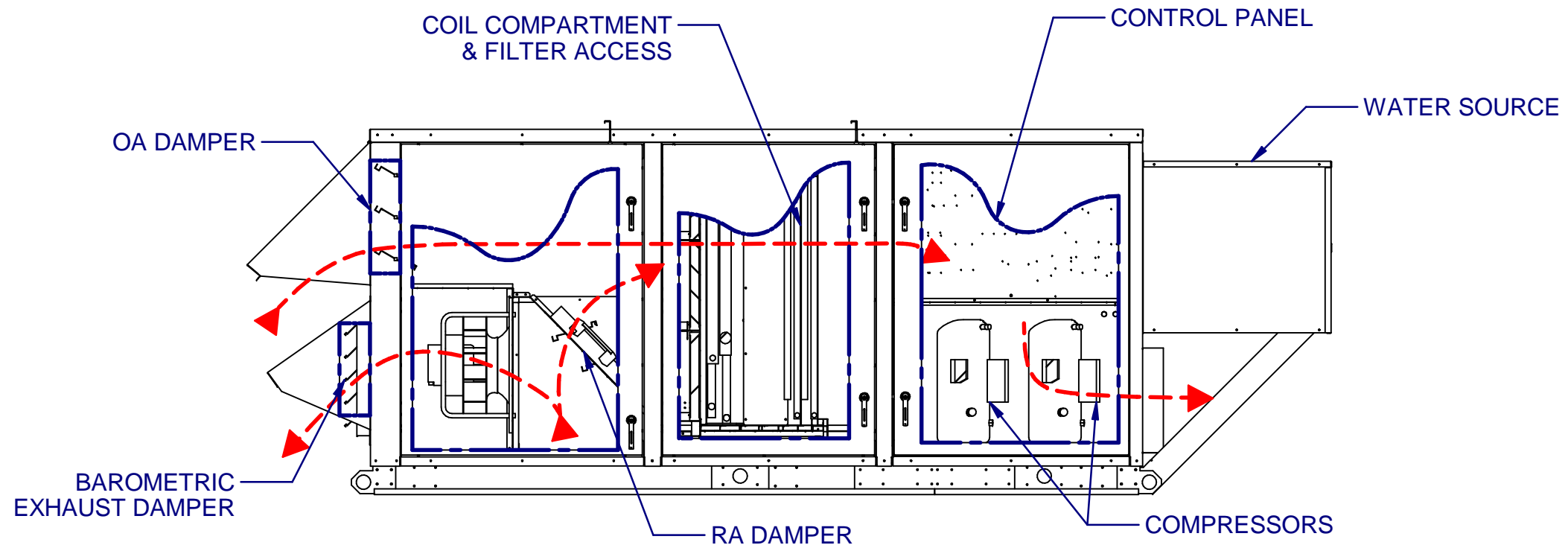


DRAWING NUMBER: 07951-5034	4/22/2021
TITLE: PR W C CAB HOR CULT HSR	1 OF 2



TOP PLAN VIEW
CONDENSING SIDE
NOT SHOWN

DRAWING NUMBER: 07951-5034	4/22/2021
TITLE: PR W C CAB HOR CULT HSR	2 OF 2