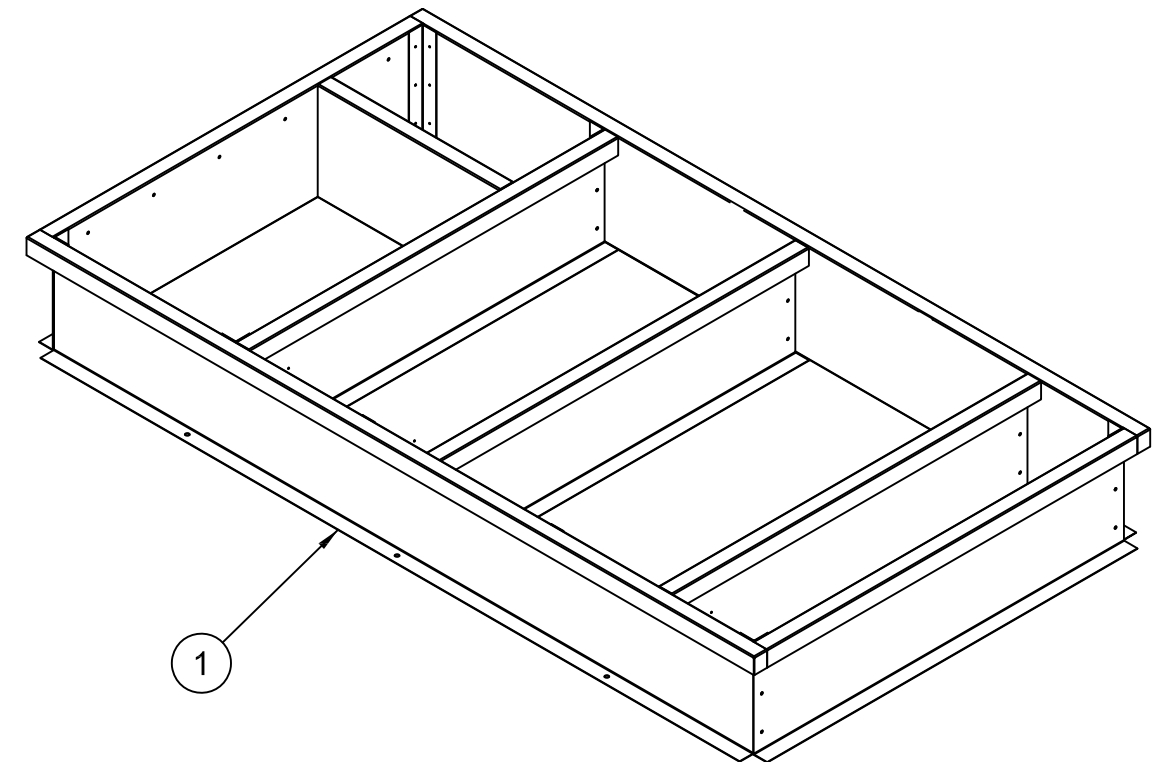
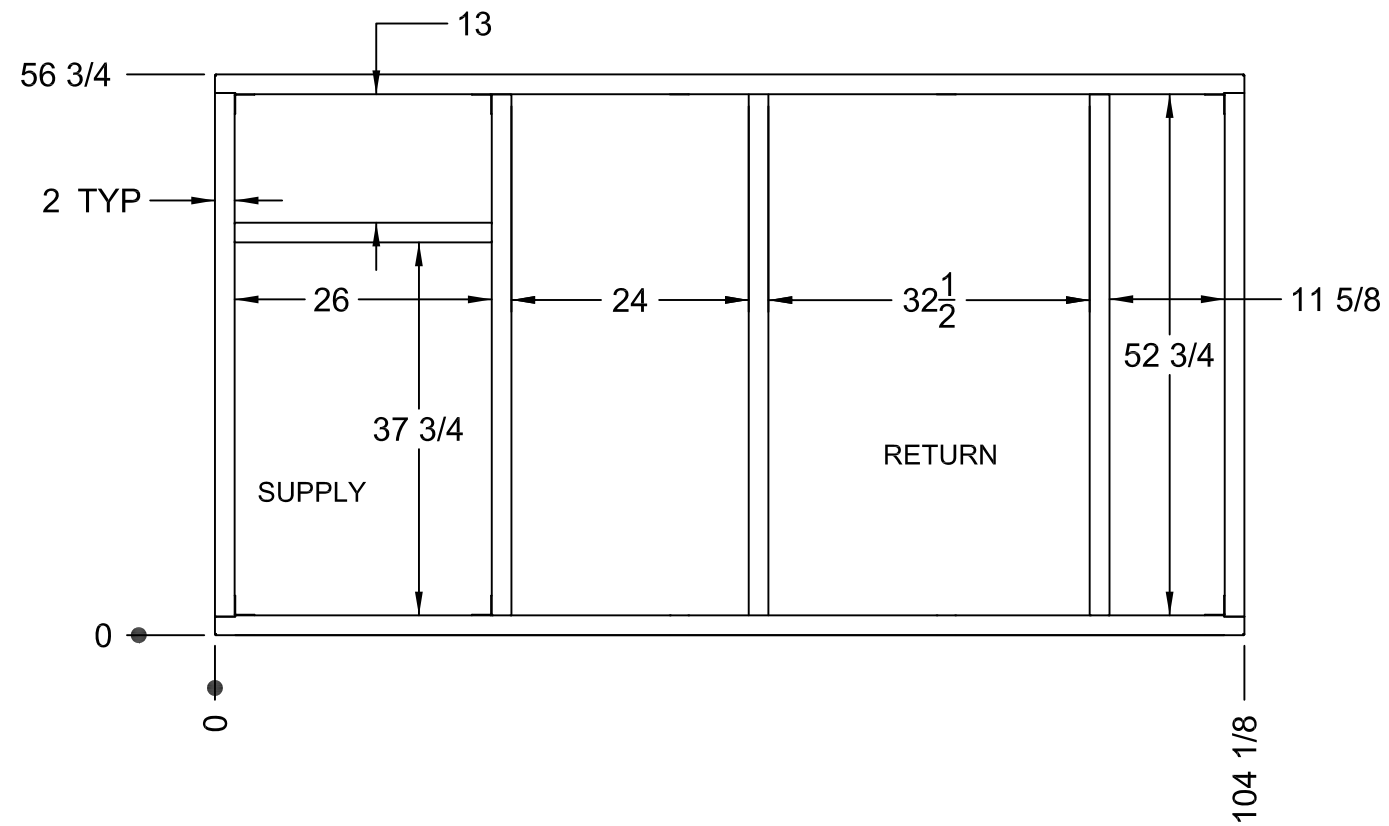


REV	DESCRIPTION	DATE	BY	CKD BY	PCN
A	INITIAL RELEASE	05/25/2019	DC	DC	EPR 1516



*** ESTIMATED WEIGHT: 190 LBS ***

ITEM #	PART #	DESCRIPTION	QTY	NOTE
1	0851P-1938	CURB ASY 14IN PR B CAB W/EXH	1	

TOLERANCES UNLESS OTHERWISE SPECIFIED PIPE OTHER FRACTIONS + 1/8 +1/32 DECIMALS ± .125 ±.032 ANGLES ± 3° ±1/2° DO NOT SCALE DRAWING ALL DIMENSIONS IN INCHES	TITLE CURB ASY 14IN PR B CAB W/EXH				
	ADDISON ORLANDO, FL				
	MATERIAL	DATE 05/29/2019	DRWN BY DC	CKD DP	APPD JN
	DWG NO. 0851I-XXXX				REV A